

## INDEX / TABLE OF CONTENTS

### RACCORD ENVELOPPANT

ARTICLE 1 RACCORD ENVELOPPANT / TEE CLAMP 1 PART	4
ARTICLE 2 RACCORD D'ANGLE 4 BOULONS / 4 BOLT ANGLE CROSS JOINT 90° DEGREE'S	5
ARTICLE 3 RACCORD EN T AVEC UN BOULON / TEE CLAMP 2 PART	6
ARTICLE 7 RACCORD EN CROIX 4 BOULONS / 4 BOLT FLAT CROSS JOINT	7
ARTICLE 8 RACCORD EN CROIX 2 BOULONS / 2 BOLT CROSS JOINT	8
ARTICLE 23 RACCORD DE JUMELAGE 1 BOULON / 1 BOLT DOUBLE CLAMP	9
ARTICLE 24 RACCORD AGGRAFE / 1 BOLT TEE CLAMPCLAWED	10
ARTICLE 53 RACCORD EN CROIX 4 BOULONS / 4 BOLT CROSS JOINT	11
ARTICLE 61 JONCTION POUR TUBE / EXTERNAL TUBE CONNECTOR (2 PARTS)	12
ARTICLE 74 RACCORD EN T AVEC UN BOULON / TEE CLAMP 2 PART	13
ARTICLE 75 RACCORD EN CROIX ZINGUE / OFFSET CROSSOVER CLAMP	14
ARTICLE 100 ETRIER DOUBLE FERME / STANDARD DOUBLE U-BOLT D	15
ARTICLE 101 ETRIER DOUBLE OUVERT / DOUBLE U-BOLT ANGLED	16
ARTICLE 109 RACCORD A 6 TUBES / 6 WAY CROSS JOINT	17
ARTICLE 113 ETRIER FILETE AVEC ECROU / U-BOLT COMPLETE WITH NUTS	18
ARTICLE 114 ETRIER FILETE CARRE AVEC ECROU / SQUARE U-BOLT WITH NUTS	19
ARTICLE 146 SUPPORT MURAL / WALL MOUNTED SUPPORT BRACKET	20
ARTICLE 148 SUPPORT COULISSANT MURAL / WALL MOUNTED SLIDING SUPPORT BRACKET	21

### RACCORD FONTE

ARTICLE 10 TE A 1 ENTREE / SINGLE SOCKET TEE	23
ARTICLE 12 TE A 1 ENTREE ORIENTEE A 45° / 45° SINGLE SOCKET TEE	23
ARTICLE 14 JOINT EXTERNE / STRAIGHT COUPLING	24
ARTICLE 14 JOINT EXTERNE / STRAIGHT COUPLING	24
ARTICLE 15 COUDE A 90° / 90° ELBOW	24
ARTICLE 20 ANGLE SUPERIEUR A 3 ENTREES A 90° / SIDE OUTLET ELBOW	25
ARTICLE 25 TE 3 DIRECTIONS / THREE SOCKET TEE	25
ARTICLE 26 CROIX A 2 ENTREES / TWO SOCKET CROSS	26
ARTICLE 35 CROIX A 3 ENTREES / THREE SOCKET CROSS	26
ARTICLE 40 CROIX A 4 ENTREES / FOUR SOCKET CROSS	27
ARTICLE 45 CROIX DECALEE / CROSSOVER	27
ARTICLE C50 RACCORD ORIENTABLE SIMPLE / SINGLE SWIVEL SOCKET	28

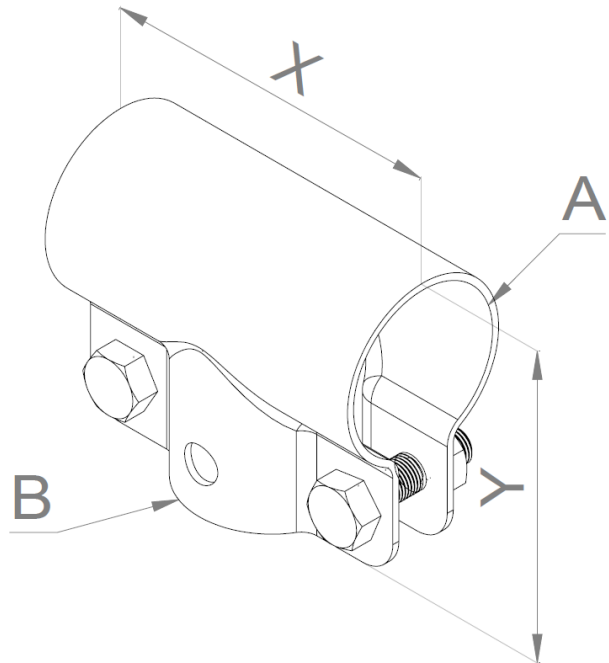
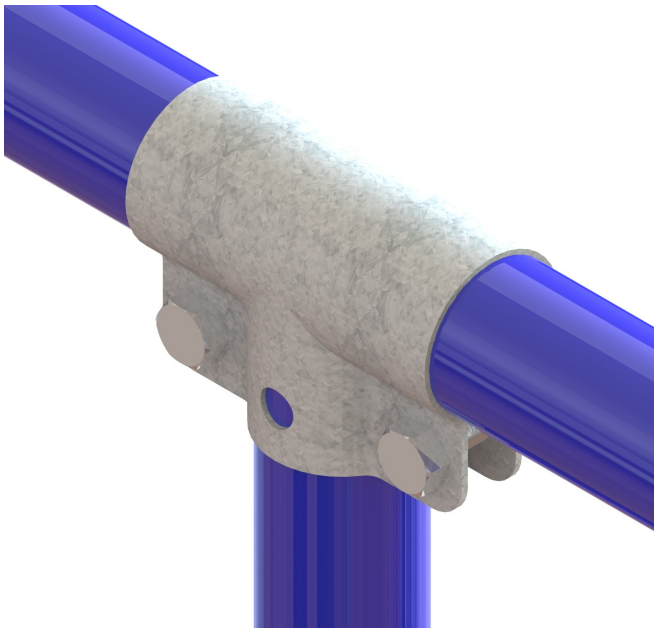
## INDEX / TABLE OF CONTENTS

ARTICLE C51 RACCORD ORIENTABLE DOUBLE / DOUBLE SWIVEL SOCKET	28
ARTICLE C58 SOCLE ORIENTABLE / SWIVEL FLANGE	29
ARTICLE M58 SEMELLE DE FIXATION / BASE PLATE	30
ARTICLE 61 FIXATION MURALE / FLANGE	30
ARTICLE 64 FIXATION MURALE VERTICALE / VERTICAL RAILING	31
ARTICLE 70 FIXATION HORIZONTALE / RAILING SUPPORT	31
ARTICLE 75 ANNEAU / COLLAR	32
ARTICLE 81 ATTACHE SIMPLE POUR GRILLE / SINGLE SIDED CLIP	32
ARTICLE 82 ATTACHE DOUBLE POUR GRILLE / DOUBLE SIDED CLIP	33
ARTICLE 89 CROIX A 2 ENTREES ORIENTABLE /	33

### ACCESSOIRES MONTAGE STABULATION

ARTICLE 1000 POTEAU CARRE	34
A VENIR...	

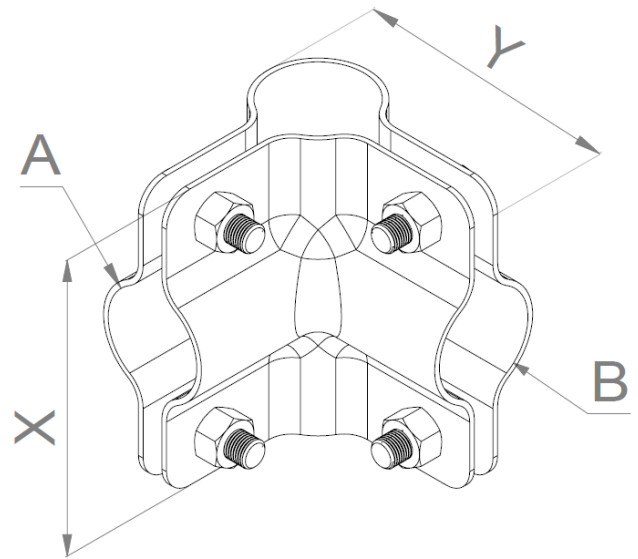
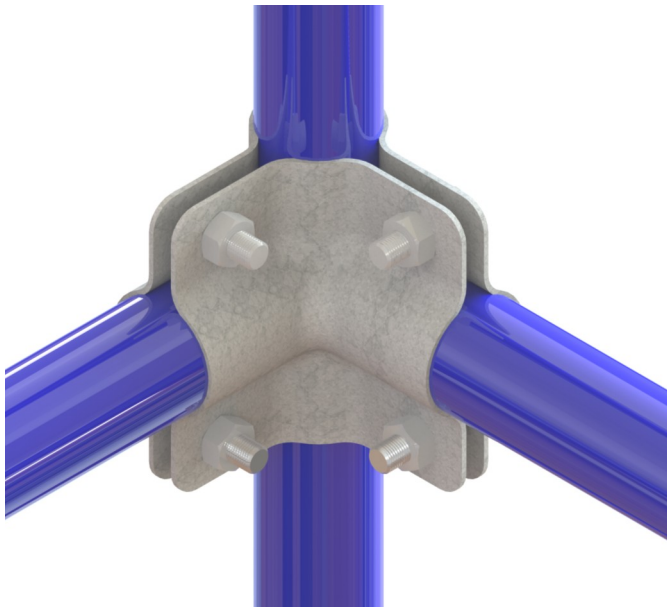
# ARTICLE 1 RACCORD ENVELOPPANT / TEE CLAMP 1 PART



CODE	DIAMETRE / DIAMETER			BOULONS / BOLTS AND NUTS			QUANTITE MINIMALE / MINIMUM QUANTITY	DIMENSIONS	
	A	x	B	A	x	B		X	Y
90010013	3/4"	x	3/4"	27	x	27	10x25	100	73
90010023	1"	x	3/4"	33	x	27	10x30	100	82
90010033	1"	x	1"	33	x	33	10x30	100	80
90010043	1"1/4	x	1"	42	x	33	10x30	100	90
90010053	1"1/4	x	1"1/4	42	x	42	10x30	110	88
90010063	1"1/4	x	1"1/2	42	x	48	10x30	110	94
90010073	1"1/4	x	2"	42	x	60	10x30	145	105
90010083	1"1/2	x	1"	48	x	33	10x30	110	94
90010093	1"1/2	x	1"1/4	48	x	42	10x30	110	96
90010103	1"1/2	x	1"1/2	48	x	48	10x30	120	94
90010113	1"1/2	x	2"	48	x	60	10x30	145	98
90010123	2"	x	1"	60	x	33	10x35	110	104
90010133	2"	x	1"1/4	60	x	42	10x35	110	106
90010143	2"	x	1"1/2	60	x	48	10x35	120	106
90010153	2"	x	2"	60	x	60	10x35	145	112
90010213	2"1/2	x	2"	76	x	60	12x40	165	138
90010203	2"1/2	x	2"1/2	76	x	76	12x40	165	138

## ARTICLE 2

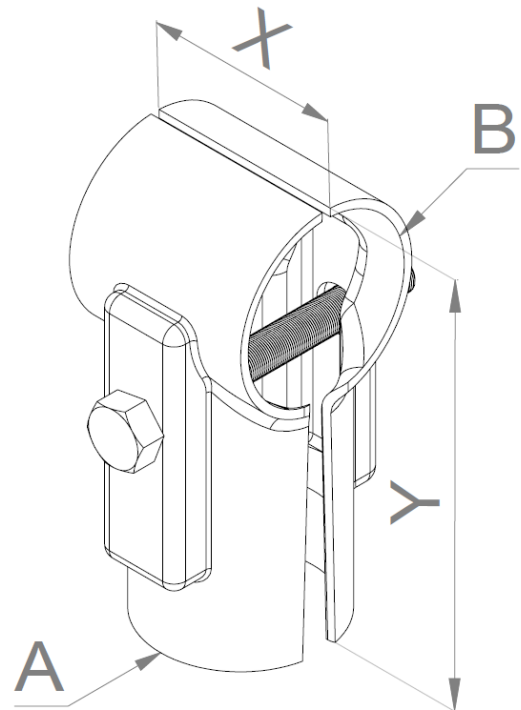
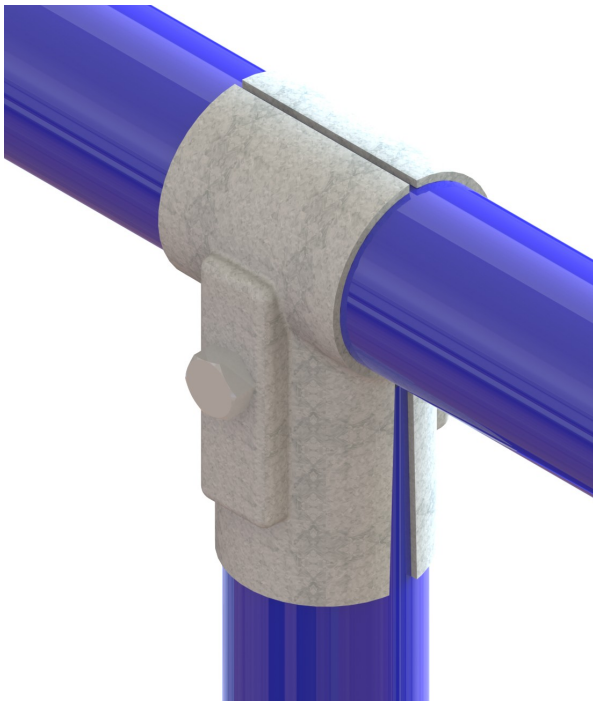
### RACCORD D'ANGLE 4 BOULONS / 4 BOLT ANGLE CROSS JOINT 90°



CODE	DIAMETRE / DIAMETER						BOULONS / BOLTS AND NUTS	QUANTITE MINIMALE / MINIMUM QUANTITY	DIMENSIONS	
	inch		mm		mm				X	Y
	A	x	B	A	x	B				
90020013	3/4"	x	3/4"	27	x	27	10x25	10	100	73
90020023	1"	x	3/4"	33	x	27	10x30	10	100	82
90020033	1"	x	1"	33	x	33	10x30	10	100	80
90020043	1"1/4	x	1"	42	x	33	10x30	10	100	90
90020053	1"1/4	x	1"1/4	42	x	42	10x30	10	110	88
90020063	1"1/4	x	1"1/2	42	x	48	10x30	10	110	94
90020073	1"1/4	x	2"	42	x	60	10x30	10	145	105
90020083	1"1/2	x	1"	48	x	33	10x30	10	110	94
90020093	1"1/2	x	1"1/4	48	x	42	10x30	10	110	96
90020103	1"1/2	x	1"1/2	48	x	48	10x30	10	120	94

## ARTICLE 3

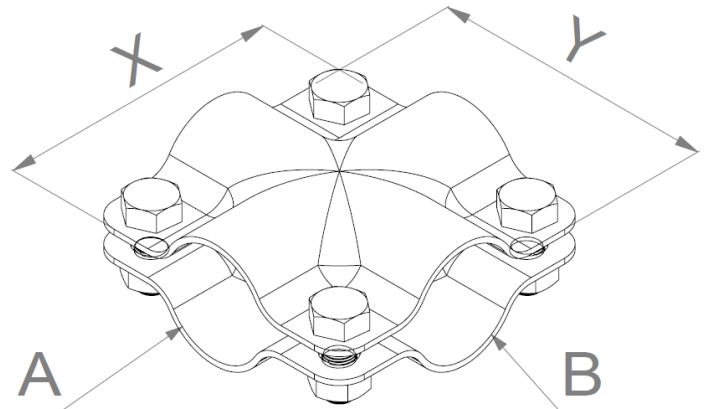
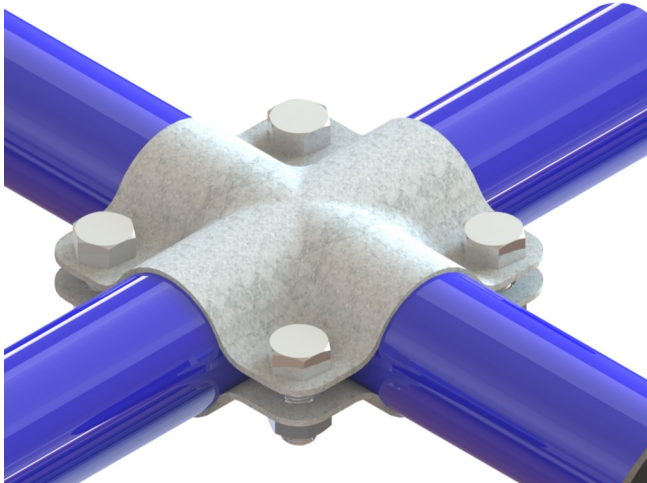
### RACCORD EN T AVEC UN BOULON / TEE CLAMP 2 PART



CODE	DIAMETRE / DIAMETER			BOULONS / BOLTS AND NUTS			QUANTITE MINIMALE / MINIMUM QUANTITY	DIMENSIONS		
	A	x	B	A	x	B		X	Y	
90030013	3/8"	x	3/8"	17	x	17	8x35	25	30	60
90030023	1/2"	x	3/8"	21	x	17	8x35	25	30	68
90030033	1/2"	x	1/2"	21	x	21	8x35	25	35	68
90030043	3/4"	x	1/2"	27	x	21	8x40	25	35	78
90030053	3/4"	x	3/4"	27	x	27	8x50	25	45	78
90030423				30	x	30	10x45	25	50	90
90030063	1"	x	1/2"	33	x	21	8x40	25	35	83
90030073	1"	x	3/4"	33	x	27	10x50	25	45	86
90030083	1"	x	1"	33	x	33	10x55	25	55	90
90030093	1"1/4	x	3/4"	42	x	27	10x50	25	45	97
90030103	1"1/4	x	1"	42	x	33	10x60	25	55	105
90030113	1"1/4	x	1"1/4	42	x	42	10x70	25	65	107
90030483	1"1/4	x	1"1/2	42	x	48	10x80	25	75	131
90030123	1"1/2	x	3/4"	48	x	27	10x50	25	45	108
90030133	1"1/2	x	1"	48	x	33	10x60	25	55	115
90030143	1"1/2	x	1"1/4	48	x	42	10x70	10	65	115
90030153	1"1/2	x	1"1/2	48	x	48	12x75	10	75	120
90030163	1"1/2	x	2"	48	x	60	12x90	10	95	125
90030203	2"	x	1"	60	x	33	10x60	10	55	130
90030173	2"	x	1"1/4	60	x	42	10x70	10	65	125
90030183	2"	x	1"1/2	60	x	48	12x75	10	75	135
90030193	2"	x	2"	60	x	60	12x90	10	95	136
90030493	2"	x	2"1/2	60	x	76	12x100	10	105	153
90030243	2"1/2	x	1"1/2	76	x	48	12x80	10	75	153
90030213	2"1/2	x	2"	76	x	60	12x90	10	95	153
90030463	3"	x	2"	89	x	60	12x90	10	95	185
90030473	3"1/2	x	2"	102	x	60	12x90	10	95	197
90030453	4"	x	2"	114	x	60	12x90	10	95	212

## ARTICLE 7

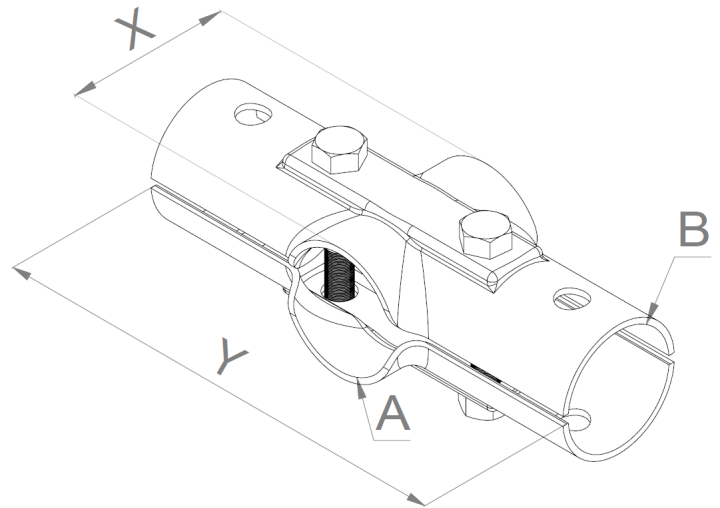
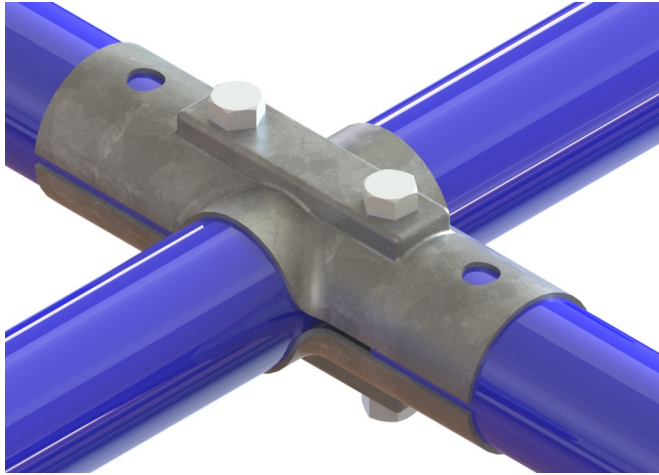
### RACCORD EN CROIX 4 BOULONS / 4 BOLT FLAT CROSS JOINT



CODE	DIAMETRE / DIAMETER		BOULONS / BOLTS AND NUTS			QUANTITE MINIMALE / MINIMUM QUANTITY	DIMENSIONS	
	A	B	A	x	B		X	Y
90070013	3/4"	x 3/4"	27	x	27	25	100	100
90070023	1"	x 1"	33	x	33	25	100	100
90070033	1"1/4	x 1"	42	x	33	25	100	125
90070043	1"1/4	x 1"1/4	42	x	42	10	110	145
90070053	1"1/2	x 1"1/4	48	x	42	10	110	135
90070063	1"1/2	x 1"1/2	48	x	48	10	115	135
90070073	2"	x 1"1/4	60	x	42	10	120	145
90070083	2"	x 1"1/2	60	x	48	10	120	145
90070093	2"	x 2"	60	x	60	5	133	155

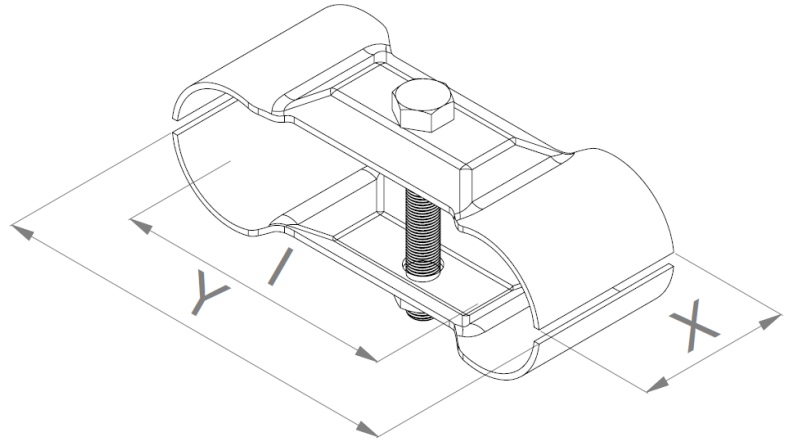
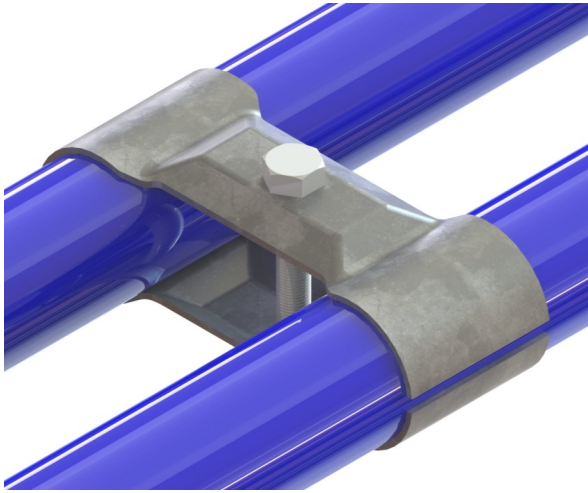
## ARTICLE 8

### RACCORD EN CROIX 2 BOULONS / 2 BOLT CROSS JOINT



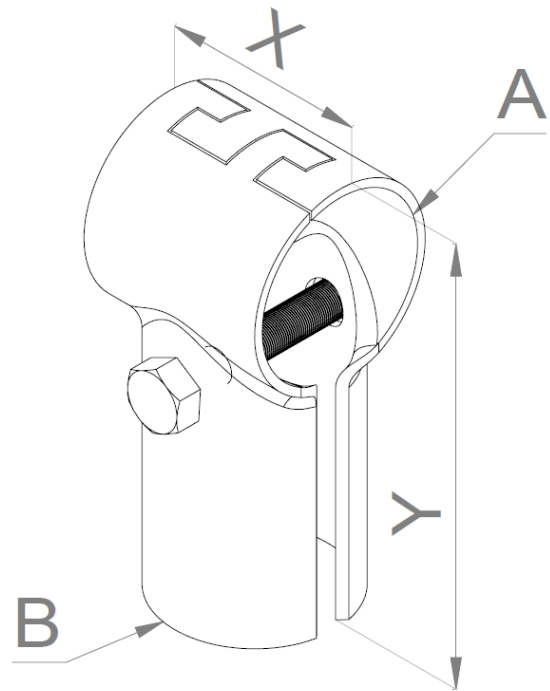
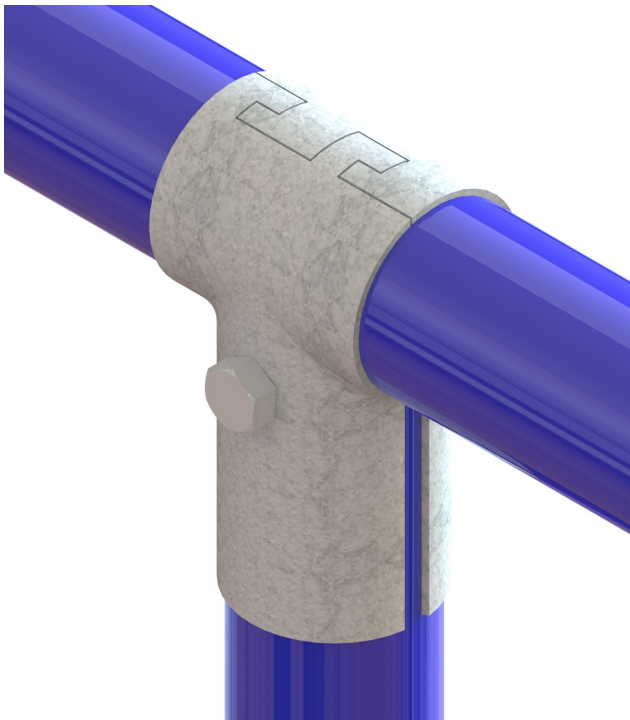
CODE	DIAMETRE / DIAMETER						BOULONS / BOLTS AND NUTS	QUANTITE MINIMALE / MINIMUM QUANTITY	DIMENSIONS	
	inch		mm		mm				X	Y
	A	x B	A	x B	A	x B				
90080023	1/2"	x 1/2"	21	x 21	8	x 35	25	35	110	
90080033	3/4"	x 3/4"	27	x 27	10	x 50	25	45	130	
90080043	1"	x 3/4"	33	x 27	10	x 45	25	45	130	
90080053	1"	x 1"	33	x 33	10	x 55	25	55	135	
90080063	1"1/4	x 1"	42	x 33	10	x 50	10	55	155	
90080073	1"1/4	x 1"1/4	42	x 42	10	x 65	10	65	155	
90080083	1"1/2	x 1"	48	x 33	10	x 50	10	55	160	
90080093	1"1/2	x 1"1/4	48	x 42	10	x 65	10	65	170	
90080103	1"1/2	x 1"1/2	48	x 48	12	x 75	10	75	185	
90080113	2"	x 1"1/4	60	x 42	10	x 65	10	65	175	
90080123	2"	x 1"1/2	60	x 48	12	x 75	10	75	180	
90080133	2"	x 2"	60	x 60	12	x 85	5	95	185	
90080183	2"1/2	x 1"1/2	76	x 48	12	x 75	5	75	220	
90080173	2"1/2	x 2"	76	x 60	12	x 90	5	95	225	



**ARTICLE 23****RACCORD DE JUMELAGE 1 BOULON / 1 BOLT DOUBLE CLAMP**

CODE	DIAMETRE / DIAMETER		BOULONS / BOLTS AND NUTS	QUANTITE MINIMALE / MINIMUM QUANTITY	DIMENSIONS		
	inch	mm			mm		
	A	B	A	B	X	Y	H
90230013	3/4" x 1/2"	27 x 21	8x25	25	35	100	65
90230023	1" x 3/4"	33 x 27	10x45	25	45	100	61
90230033	1" x 1"	33 x 33	10x55	25	45	135	93
90230043	1"1/4 x 3/4"	42 x 27	10x45	25	45	115	72
90230053	1"1/4 x 1"	42 x 33	10x55	25	45	145	100
90230063	1"1/4 x 1"1/4"	42 x 42	10x70	10	55	150	101
90230073	1"1/2 x 3/4"	48 x 27	10x45	25	45	130	84
90230083	1"1/2 x 1"	48 x 33	10x55	25	45	150	99
90230093	1"1/2 x 1"1/4"	48 x 42	10x70	10	55	160	105
90230103	1"1/2 x 1"1/2"	48 x 48	10x70	10	55	165	110
90230113	2" x 1"1/2"	60 x 48	12x70	10	75	190	125
90230123	2" x 2"	60 x 60	12x70	10	75	200	130

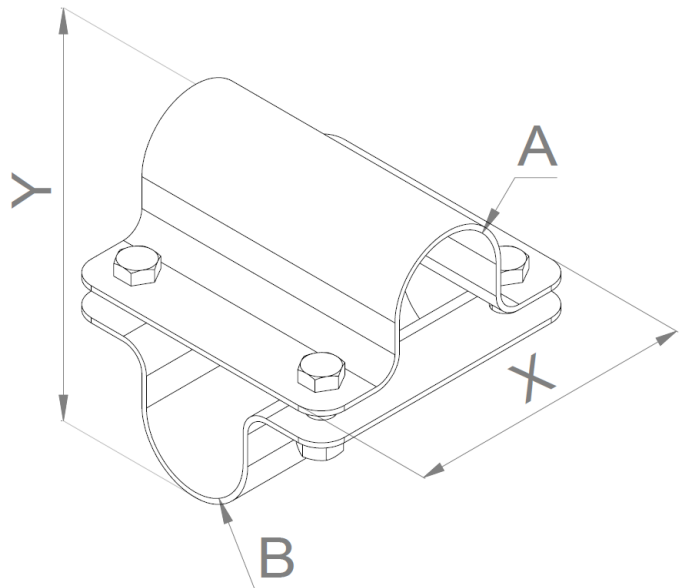
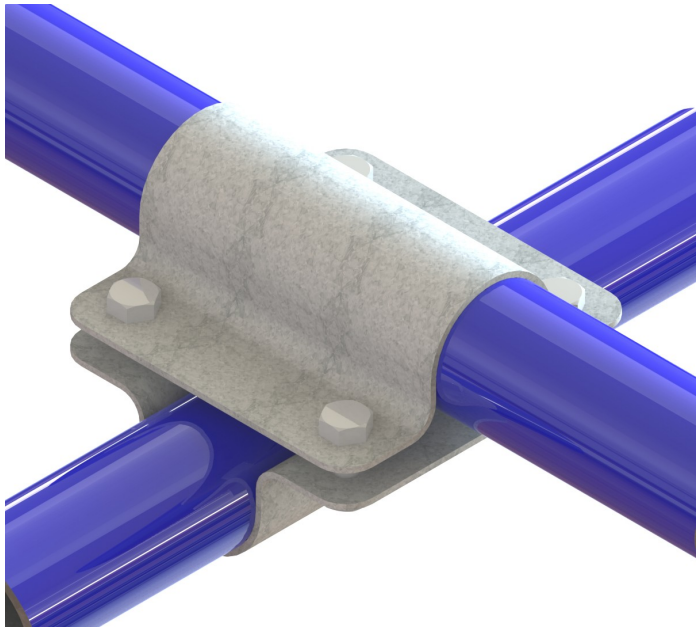
**ARTICLE 24**  
**RACCORD AGGRAFE / 1 BOLT TEE CLAMPCLAWED**



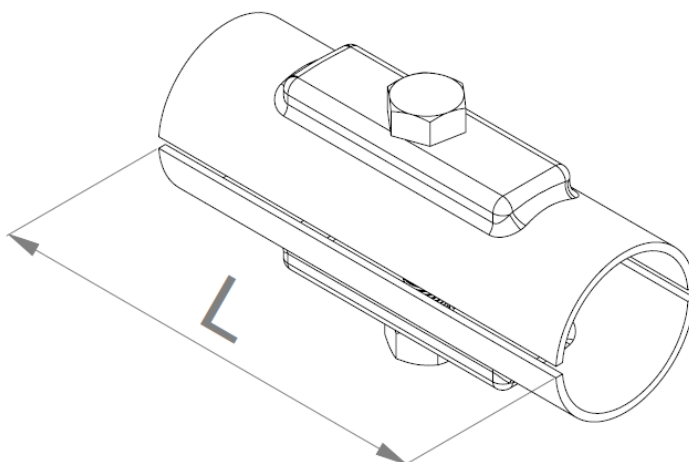
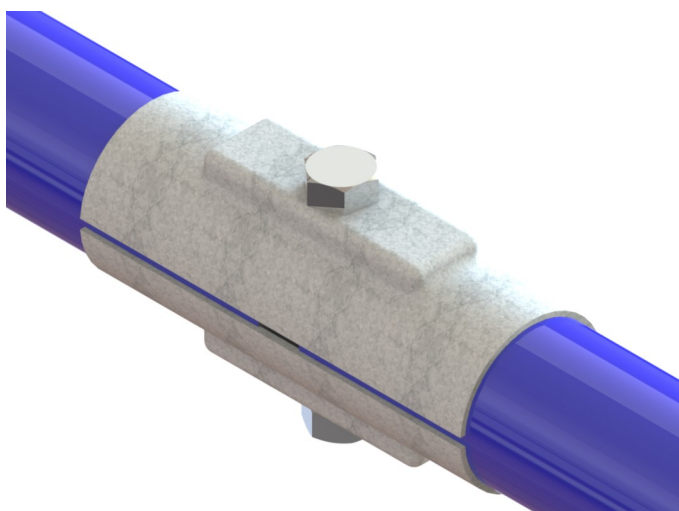
CODE	DIAMETRE / DIAMETER inch			DIAMETER mm			BOULONS / BOLTS AND NUTS	QUANTITE MINIMALE / MINIMUM QUANTITY	DIMENSIONS mm	
	A	x	B	A	x	B			X	Y
90240013	1"1/4	x	3/4"	42	x	27	10x45	10	45	93
90240113	1"1/4	x	1"	42	x	33	10x55	10	55	110
90240023	1"1/4	x	1"1/4	42	x	42	10x60	10	65	110
90240033	1"1/2	x	1"1/4	48	x	42	10x60	10	65	110
90240093	1"1/2	x	1"1/2	48	x	48	12x75	10	75	115
90240073	2"	x	1"	60	x	33	12x55	10	55	130
90240043	2"	x	1"1/4	60	x	42	10x60	10	65	115
90240083	2"	x	1"1/2	60	x	48	12x75	10	75	130
90240063	2"	x	2"	60	x	60	12x85	10	90	140
90240053	2"1/2	x	2"	76	x	60	12x80	10	95	155

## ARTICLE 53

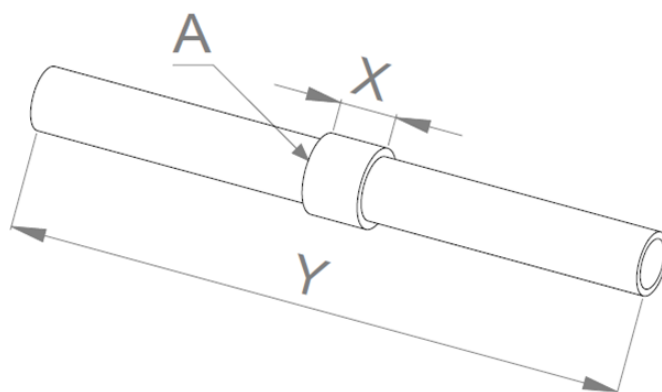
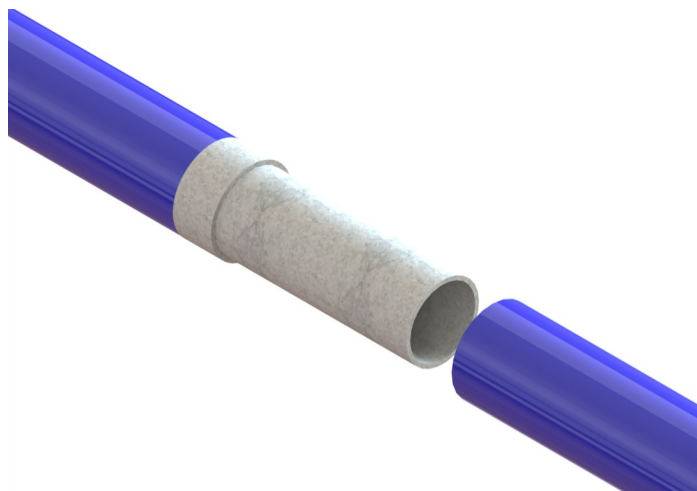
### RACCORD EN CROIX 4 BOULONS / 4 BOLT CROSS JOINT



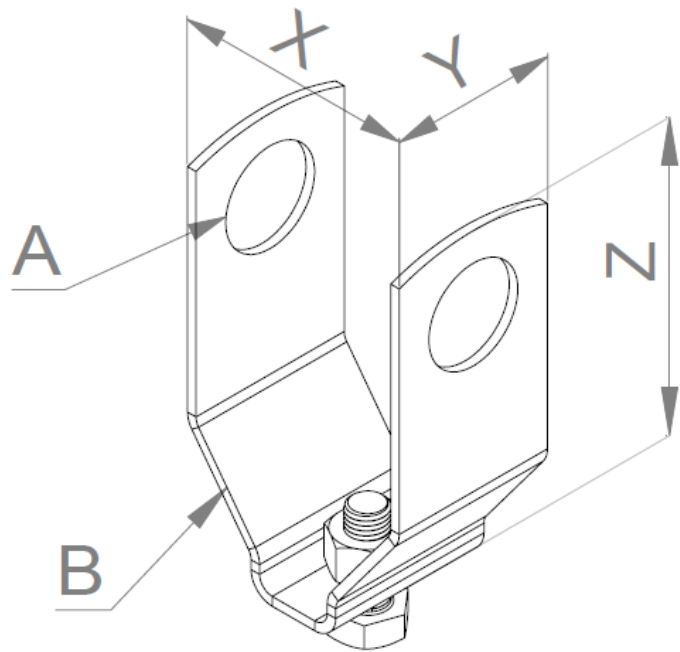
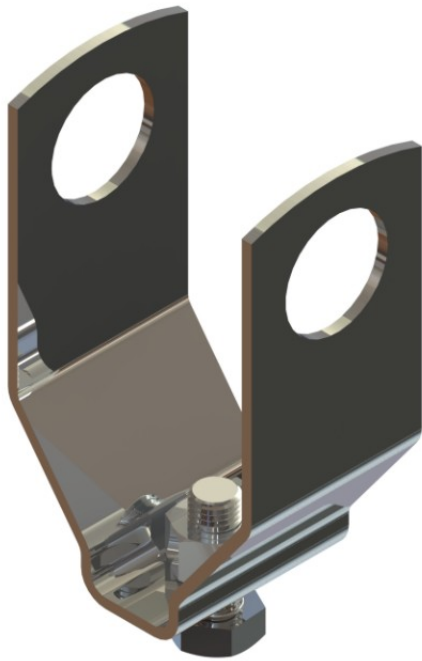
CODE	DIAMETRE / DIAMETER			DIAMETRE / DIAMETER			BOULONS / BOLTS AND NUTS	QUANTITE MINIMALE / MINIMUM QUANTITY	DIMENSIONS	
	A	x	B	A	x	B			X	Y
90530013	1"1/4	x	1"1/4	42	x	42	10x25	20	110	110
90530173	1"1/4	x	1"1/4	42	x	42	10x25	20	140	140
90530023	1"1/2	x	1"1/4	48	x	42	10x25	20	110	110
90530193	1"1/2	x	1"1/4	48	x	42	10x25	20	140	140
90530033	1"1/2	x	1"1/2	48	x	48	10x25	20	110	110
90530083	1"1/2	x	1"1/2	48	x	48	10x25	20	140	140
90530183	2"	x	1"1/4	60	x	42	10x25	20	140	140
90530043	2"	x	1"1/2	60	x	48	10x25	20	140	140
90530053	2"	x	2"	60	x	60	10x25	20	140	140
90530063	70	x	1"1/2	70	x	48	10x25	20	140	140
90530103	70	x	2"	70	x	60	10x25	20	140	140
90530093				70	x	70	10x25	10	140	140
90530113	70	x	2"1/2	70	x	76	10x25	10	140	140
90530123	2"1/2	x	1"1/2	76	x	48	10x25	20	140	140
90530133	2"1/2	x	2"	76	x	60	10x25	20	140	140
90530073	2"1/2	x	2"1/2	76	x	76	10x25	10	140	140
90530143	80	x	1"1/2	80	x	48	10x25	20	155	155
90530153				80	x	80	10x25	10	155	155

**ARTICLE 61****JONCTION POUR TUBE / EXTERNAL TUBE CONNECTOR (2 PARTS)**

CODE	DIAMETRE / DIAMETER		BOULONS / BOLTS AND NUTS	QUANTITE MINIMALE / MINIMUM QUANTITY	DIMENSIONS mm L
	inch A	mm A			
90610013	1/2"	21	8x35	25	100
90610023	3/4"	27	10x50	25	100
90610033	1"	33	10x50	25	120
90610043	1"1/4	42	10x60	10	120
90610053	1"1/2	48	10x70	10	120
90610063	2"	60	12x80	10	150

**ARTICLE 74****RACCORD EN T AVEC UN BOULON / TEE CLAMP 2 PART**

CODE	DIAMETRE / DIAMETER		QUANTITE MINIMALE / MINIMUM QUANTITY	DIMENSIONS	
	inch A	mm A		X mm	Y
90740042	3/4"	27	1	20	220
90740032	1"	33	1	20	260
90740082	1"1/4	42	1	150	300
90740022	1"1/4	42	1	20	260
90740012	1"1/2	48	1	20	260
90740062	2"	60	1	150	300
90740052	2"	60	1	20	260
90740112	2"1/2	76	1	20	300

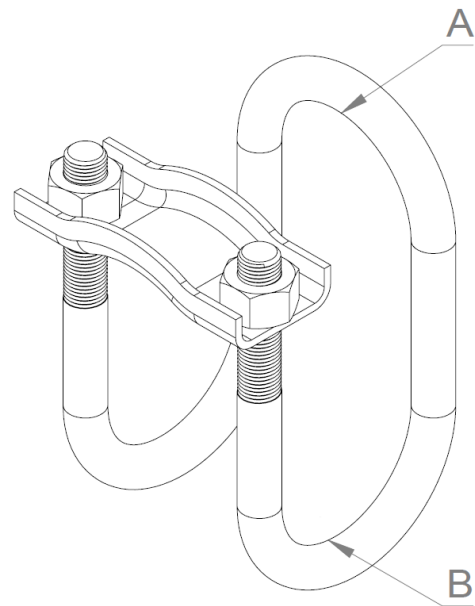
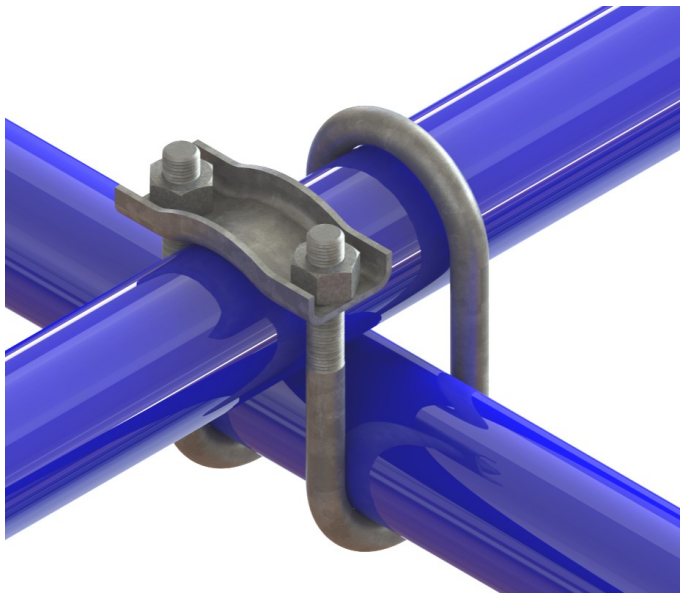
**ARTICLE 75****RACCORD EN CROIX ZINGUE / OFFSET CROSSOVER CLAMP**

**PROTECTION PAR ZINGAGE ELECTROLYTIQUE / PROTECTED BY ZINC ELECTROPLATED**

CODE	DIAMETRE / DIAMETER		QUANTITE MINIMALE / MINIMUM QUANTITY	DIMENSIONS	
	inch A	mm A		X mm	Y
90740042	3/4"	27	1	20	220
90740032	1"	33	1	20	260
90740082	1"1/4	42	1	150	300
90740022	1"1/4	42	1	20	260
90740012	1"1/2	48	1	20	260
90740062	2"	60	1	150	300
90740052	2"	60	1	20	260
90740112	2"1/2	76	1	20	300

# ARTICLE 100

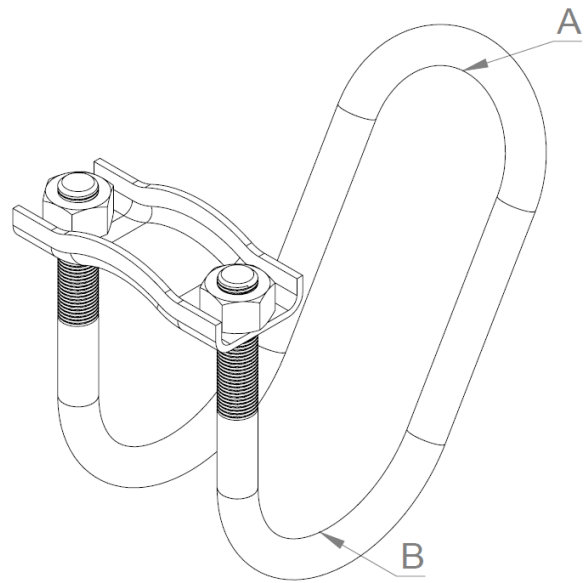
## ETRIER DOUBLE FERME / STANDARD DOUBLE U-BOLT D



CODE	DIAMETRE / DIAMETER						BOULONS / BOLTS AND NUTS	QUANTITE MINIMALE / MINIMUM QUANTITY
	inch			mm				
	A	x	B	A	x	B		
91000013	1/2"	x	1/2"	21	x	21	M8	100
91000023	3/4"	x	3/4"	27	x	27	M8	100
91000033	3/4"	x	1"	27	x	33	M8	100
91000043	3/4"	x	2"	27	x	60	M8	100
91000053				27	x	75	M8	100
91000303	3/4"	x	2"1/2	27	x	76	M8	100
91000313	3/4"	x	80	27	x	80	M8	100
91000363	3/4"	x	90	27	x	90	M8	50
91000063	1"	x	1"	33	x	33	M8	100
91000073	1"	x	1"1/4	33	x	42	M8	100
91000083	1"	x	1"1/2	33	x	48	M8	100
91000093	1"	x	2"	33	x	60	M8	100
91000293	1"	x	70	33	x	70	M8	100
91000283	1"	x	72	33	x	72	M8	100
91000113	1"	x	2"1/2	33	x	76	M8	100
91000343	1"	x	80	33	x	80	M8	100
91000123	1"	x	90	33	x	90	M8	100
91000133	1"1/4	x	1"1/4	42	x	42	M10	50
91000143	1"1/4	x	1"1/2	42	x	48	M10	50
91000153	1"1/4	x	2"	42	x	60	M10	50
91000163	1"1/2	x	1"1/2	48	x	48	M10	50
91000173	1"1/2	x	2"	48	x	60	M10	50
91000383	1"1/2	x	2"1/2	48	x	76	M10	50
91000183	2"	x	3/4"	60	x	27	M8	100
91000373	2"	x	1"	60	x	33	M8	100
91000393	2"	x	1"1/2	60	x	48	M10	100
91000193	2"	x	2"	60	x	60	M10	50
91000403	2"	x	3"	60	x	89	M10	50
91000353	2"1/2	x	1"1/2	76	x	48	M10	50
91000223	2"1/2	x	2"	76	x	60	M10	50
91000323	2"3/4	x	1"	80	x	33	M10	50
91000273				83	x	35	M8	50

# ARTICLE 101

## ETRIER DOUBLE OUVERT / DOUBLE U-BOLT ANGLED

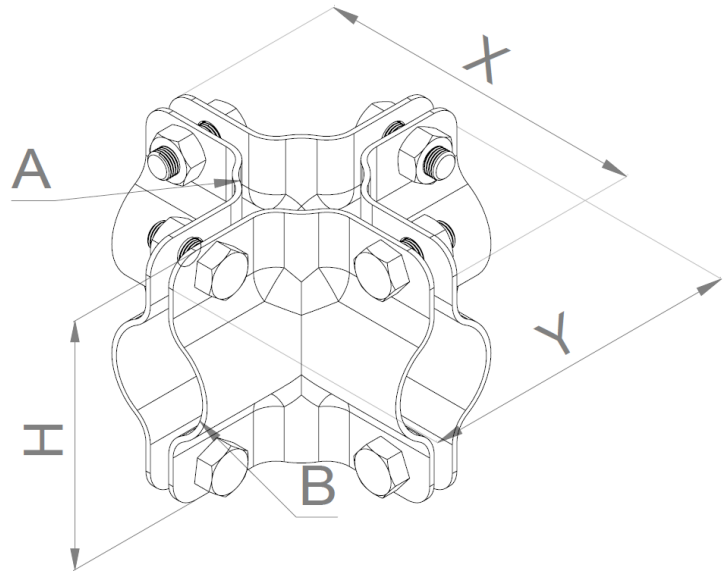
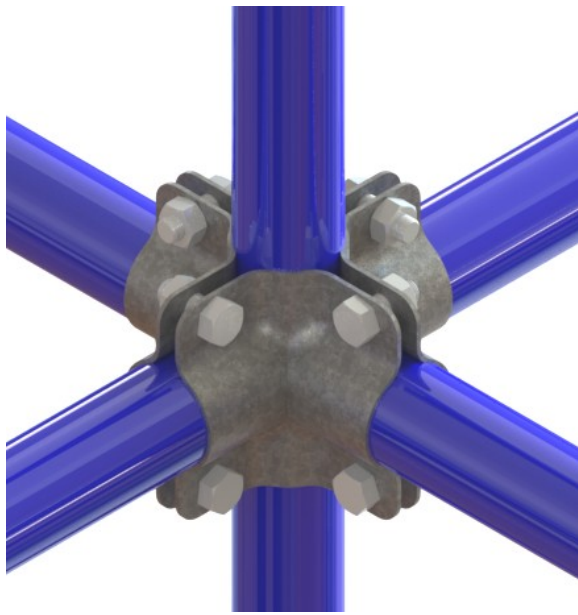


CODE	DIAMETRE / DIAMETER						BOULONS / BOLTS AND NUTS	QUANTITE MINIMALE / MINIMUM QUANTITY
	inch			mm				
	A	x	B	A	x	B		
91010013	1/2"	x	1/2"	21	x	21	M8	100
91010313	1/2"	x	1"	21	x	33	M8	100
91010023	3/4"	x	3/4"	27	x	27	M8	100
91010033	3/4"	x	1"	27	x	33	M8	100
91010323	3/4"	x	1"1/4"	27	x	42	M8	100
91010043	3/4"	x	2"	27	x	60	M8	100
91010053	1"	x	1/2"	33	x	21	M8	100
91010063	1"	x	1"	33	x	33	M8	100
91010073	1"	x	1"1/4"	33	x	42	M8	100
91010083	1"	x	1"1/2"	33	x	48	M8	100
91010093	1"	x	2"	33	x	60	M8	100
91010103	1"	x	2"1/2"	33	x	76	M8	50
91010113	1"1/4"	x	1"1/4"	42	x	42	M10	50
91010123	1"1/4"	x	1"1/2"	42	x	48	M10	50
91010133	1"1/4"	x	2"	42	x	60	M10	50
91010153	1"1/2"	x	1"1/2"	48	x	48	M10	50
91010163	1"1/2"	x	2"	48	x	60	M10	50
91010333	1"1/2"	x	2"1/2"	48	x	76	M10	50
91010173	2"	x	3/4"	60	x	27	M10	50
91010183	2"	x	1"1/2"	60	x	48	M10	50
91010193	2"	x	2"	60	x	60	M10	50

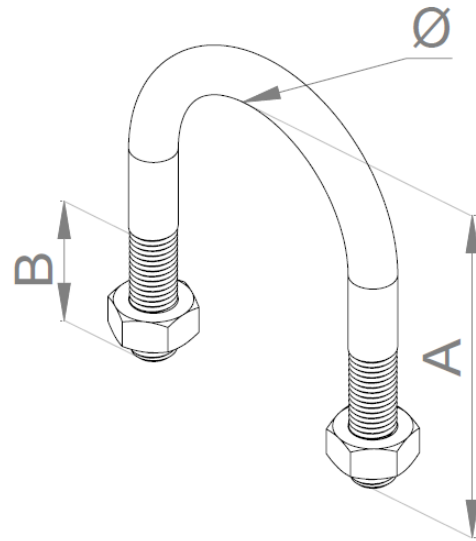


# ARTICLE 109

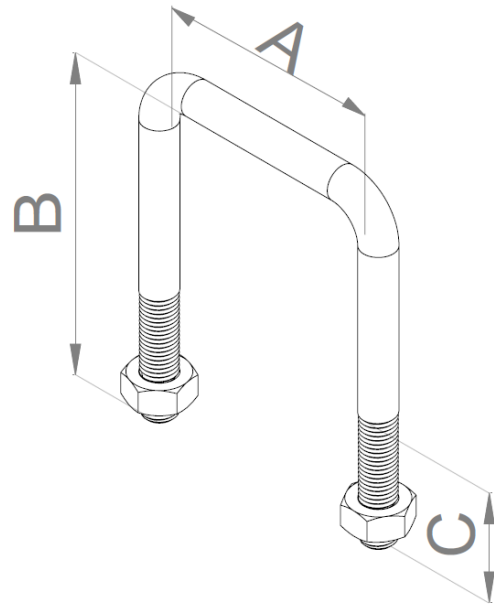
## RACCORD A 6 TUBES / 6 WAY CROSS JOINT



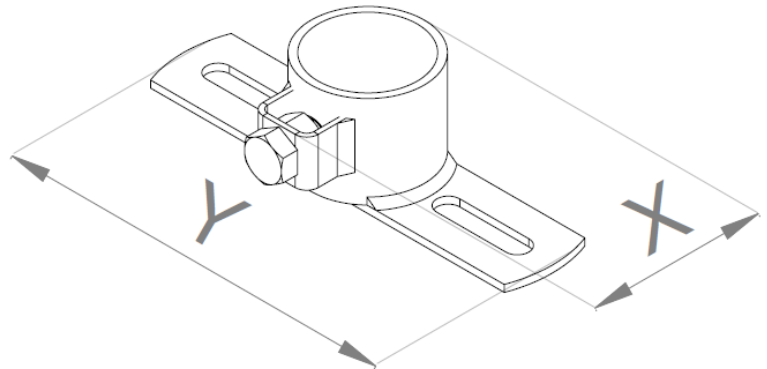
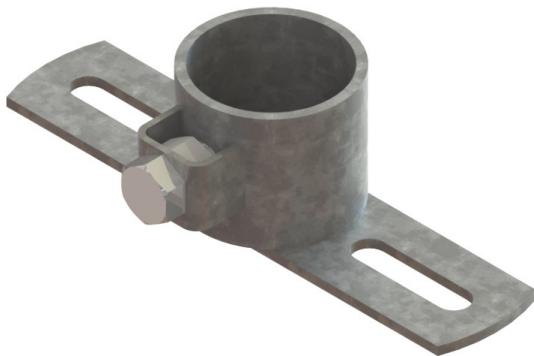
CODE	DIAMETRE / DIAMETER			BOULONS / BOLTS AND NUTS	QUANTITE MINIMALE / MINIMUM QUANTITY	DIMENSIONS			
	inch	mm				mm			
	A	x	B	A	x	B	X	Y	H
91090053	3/4"	x	3/4"	27	x	27	125	125	95
91090063	1"	x	3/4"	33	x	27	125	125	100
91090013	1"	x	1"	33	x	33	130	130	90
91090073	1"1/4	x	1"	42	x	33	130	130	96
91090023	1"1/4	x	1"1/4	42	x	42	140	140	110
91090083	1"1/2	x	1"	48	x	33	145	145	110
91090093	1"1/2	x	1"1/4	48	x	42	150	150	105
91090033	1"1/2	x	1"1/2	48	x	48	145	145	105
91090103	2"	x	1"1/2	60	x	48	165	165	105
91090043	2"	x	2"	60	x	60	180	180	130

**ARTICLE 113****ETRIER FILETE AVEC ECROU / U-BOLT COMPLETE WITH NUTS**

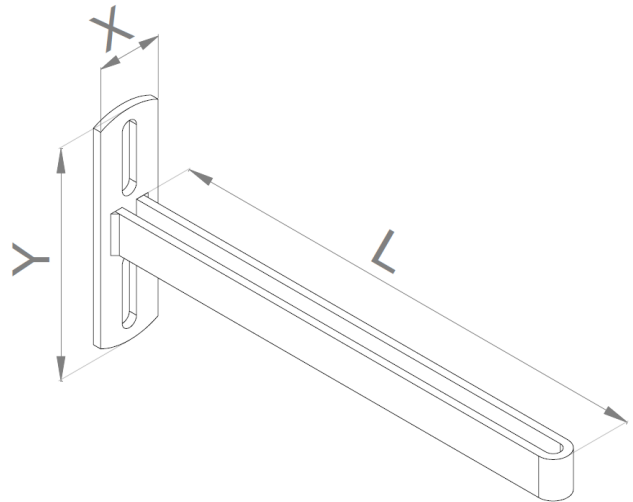
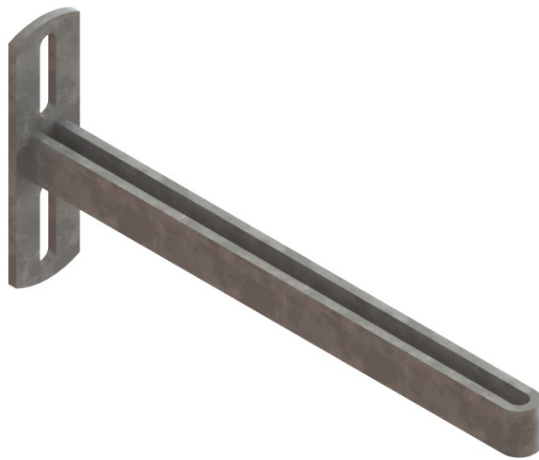
CODE	DIAMETRE / DIAMETER Ø		ECROU / NUT	QUANTITE MINIMALE / MINIMUM QUANTITY	DIMENSIONS mm	
	inch	mm			A	B
91130087	1/2"	21	M8	100	39	25
91130097	3/4"	27	M8	100	47	30
91130107	1"	33	M8	100	59	30
91130217	1"	33	M10	100	66	35
91130117	1"1/4	42	M10	50	65	40
91130127	1"1/2	48	M10	50	73	40
91130077	2"	60	M10	50	84	40
91130267	2"	60	M12	25	110	50
91130157	2"1/2	76	M10	50	101	40
91130317	2"1/2	76	M12	25	110	40
91130337	3"	89	M10	25	106	35
91130327	3"	89	M12	25	120	50

**ARTICLE 114****ETRIER FILETE CARRE AVEC ECROU / SQUARE U-BOLT WITH NUTS**

CODE	DIMENSION TUBE CARRE / DIMENSION SQUARE TUBE	ECROU / NUT	QUANTITE MINIMALE / MINIMUM QUANTITY	DIMENSIONS		
				A	B mm	C
91140426	50X50	M10	-	52	66	20
91140146	60X60	M10	-	62	96	35
91140646	60X60	M10	-	62	141	30
91140746	60X60	M10	-	63	120	30
91140786	60X60	M12	-	65	95	35
91140516	70X70	M10	-	74	96	35
91140756	80X80	M10	-	83	111	35
91140686	80X80	M12	-	83	110	35

**ARTICLE 146****SUPPORT MURAL / WALL MOUNTED SUPPORT BRACKET**

CODE	DIAMETRE / DIAMETER		BOULONS / BOLTS AND NUTS	QUANTITE MINIMALE / MINIMUM QUANTITY	DIMENSIONS	
	inch A	mm A			X	Y
91460013	1/2"	21	10x25	1	40	140
91460023	3/4"	27	10x25	1	48	140
91460033	1"	33	10x25	1	54	160
91460043	1"1/4	42	10x25	1	63	160
91460053	1"1/2	48	10x25	1	71	180
91460063	2"	60	10x25	1	83	180

**ARTICLE 148****SUPPORT COULISSANT MURAL / WALL MOUNTED SLIDING SUPPORT BRACKET**

CODE	LONGUEUR / LENGHT mm L	QUANTITE MINIMALE / MINIMUM QUANTITY	DIMENSIONS mm	
			X	Y
<b>GALVANISE / GALVANIZED STEEL</b>				
91480012	100	1	40	140
91480022	150	1	40	140
91480032	200	1	40	140
91480042	250	1	40	140
91480052	300	1	40	140
91480062	400	1	40	140
91480072	500	1	40	140
91480082	600	1	40	140
91480092	700	1	40	140
91480102	750	1	40	140
<b>INOX / STAINLESS STEEL</b>				
91480024	150	1	40	140
91480044	250	1	40	140
91480054	300	1	40	140
91480164	400	1	40	140

## RACCORD FONTE / CAST IRON CLAMP

La solution alternative économique à la soudure avec un nombre d'applications illimités.

### - Principaux avantages :

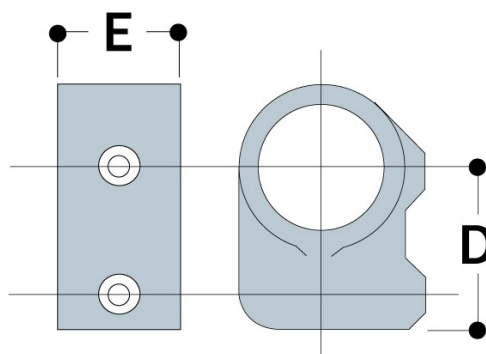
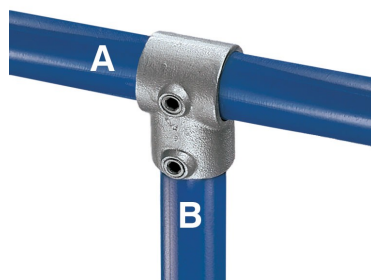
- Fabriqué en fonte galvanisée
- Haute résistance à la corrosion
- Pas de soudure, ni filetage, ni boulonnage
- Installation facile, pas besoin de main d'œuvre spécialisée
- Gamme très étendue
- Ni soudure, perçage, boulonnage, filetage, adhésif, ou rivets aveugles ne sont pas nécessaires.
- De plus, en cas de démontage ou de modification de votre structure les raccords sont réutilisables...

A cost effective alternative to welding with unlimited applications .

### - Features & Benefits:

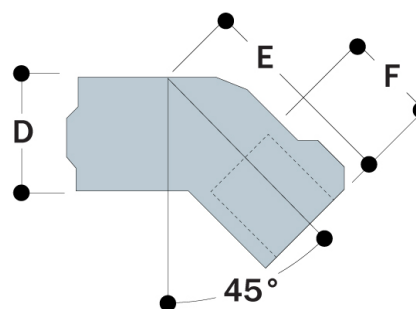
- Made of galvanised cast iron
- High corrosion resistance
- Quick installation
- No welding, so no hot work permits required
- No threading or bolting, so no special tools required
- A flexible system that can accommodate on site variations
- Cost effective to install as it is quick to install and only low skilled workforce is required

## ARTICLE 10 TE A 1 ENTREE / SINGLE SOCKET TEE



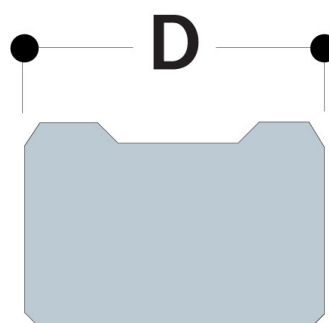
CODE	DESIGNATION	A	B	D	E
10-3	Té à 1 entrée, Single Socket Tee, 3/8"	Ø 17,5mm	Ø 17,5mm	29 mm	25 mm
10-4	Té à 1 entrée / Single Socket Tee, 1/2"	Ø 21,3mm	Ø 21,3mm	34 mm	32 mm
10-5	Té à 1 entrée / Single Socket Tee, 3/4"	Ø 26,9mm	Ø 26,9mm	41 mm	37 mm
10-6	Té à 1 entrée / Single Socket Tee, 1"	Ø 33,7mm	Ø 33,7mm	46 mm	47 mm
10-65	Té à 1 entrée / Single Socket Tee, 1" x 3/4"	Ø 33,7mm	Ø 26,9mm	44 mm	37 mm
10-67	Té à 1 entrée / Single Socket Tee, 1" x 1 1/4"	Ø 33,7mm	Ø 42,4mm	55 mm	55 mm
10-7	Té à 1 entrée / Single Socket Tee, 1 1/4"	Ø 42,4mm	Ø 42,4mm	60 mm	55 mm
10-75	Té à 1 entrée / Single Socket Tee, 1 1/4" x 3/4"	Ø 42,4mm	Ø 26,9mm	57 mm	37 mm
10-76	Té à 1 entrée / Single Socket Tee, 1 1/4" x 1"	Ø 42,4mm	Ø 33,7mm	57 mm	46 mm
10-78	Té à 1 entrée / Single Socket Tee, 1 1/4" x 1 1/2"	Ø 42,4mm	Ø 48,3mm	73 mm	60 mm
10-8	Té à 1 entrée / Single Socket Tee, 1 1/2"	Ø 48,3mm	Ø 48,3mm	68 mm	60 mm
10-87	Té à 1 entrée / Single Socket Tee, 1 1/2" x 1 1/4"	Ø 48,3mm	Ø 42,4mm	63 mm	55 mm
10-9	Té à 1 entrée / Single Socket Tee, 2"	Ø 60,3mm	Ø 60,3mm	84 mm	73 mm
10-98	Té à 1 entrée / Single Socket Tee, 2" x 1 1/2"	Ø 60,3mm	Ø 48,3mm	74 mm	64 mm

## ARTICLE 12 TE A 1 ENTREE ORIENTEE A 45° / 45° SINGLE SOCKET TEE



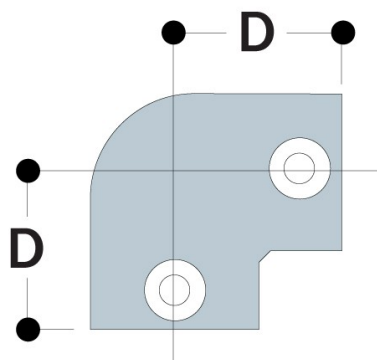
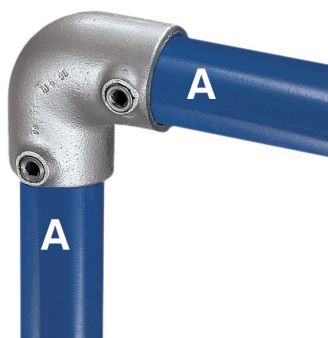
CODE	DESIGNATION	A	B	D	E
12-5	Té à 1 entrée orientée à 45° / 45° Single Socket Tee, 3/4"	Ø 26,9mm	35 mm	72 mm	35 mm
12-6	Té à 1 entrée orientée à 45° / 45° Single Socket Tee, 1"	Ø 33,7mm	44 mm	85 mm	35 mm
12-7	Té à 1 entrée orientée à 45° / 45° Single Socket Tee, 1 1/4"	Ø 42,4mm	55 mm	94 mm	40 mm
12-8	Té à 1 entrée orientée à 45° / 45° Single Socket Tee, 1 1/2"	Ø 48,3mm	60 mm	108 mm	40 mm

## ARTICLE 14 JOINT EXTERNE / STRAIGHT COUPLING



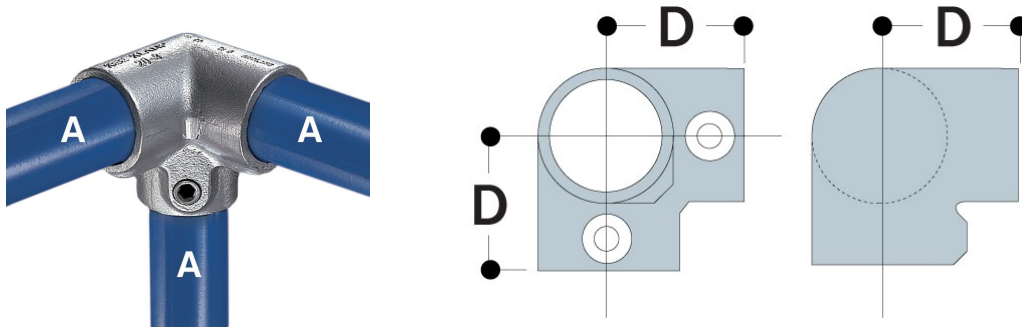
CODE	DESIGNATION	A	D
14-4	Joint externe, Straight Coupling, 1/2"	Ø 21,3mm	58 mm
14-5	Joint externe, Straight Coupling, 3/4"	Ø 26,9mm	77 mm
14-6	Joint externe, Straight Coupling, 1"	Ø 33,7mm	89 mm
14-7	Joint externe, Straight Coupling, 1 1/4"	Ø 42,4mm	102 mm
14-8	Joint externe, Straight Coupling, 1 1/2"	Ø 48,3mm	104 mm
14-9	Joint externe, Straight Coupling, 2"	Ø 60,3mm	124 mm

## ARTICLE 15 COUDE A 90° / 90° ELBOW

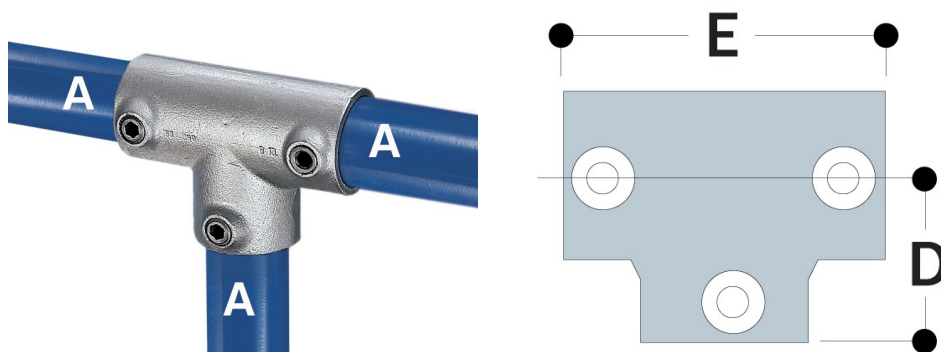


CODE	DESIGNATION	A	D
15-4	Coude à 90° / 90° Elbow, 1/2"	Ø 21,3mm	34 mm
15-5	Coude à 90° / 90° Elbow, 3/4"	Ø 26,9mm	41 mm
15-6	Coude à 90° / 90° Elbow, 1"	Ø 33,7mm	46 mm
15-7	Coude à 90° / 90° Elbow, 1 1/4"	Ø 42,4mm	60 mm
15-8	Coude à 90° / 90° Elbow, 1 1/2"	Ø 48,3mm	68 mm
15-9	Coude à 90° / 90° Elbow, 2"	Ø 60,3mm	85 mm



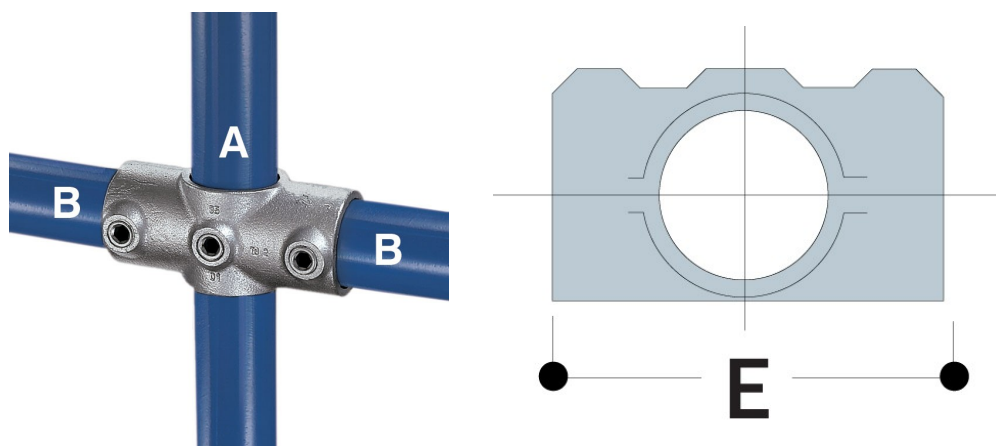
**ARTICLE 20****ANGLE SUPERIEUR A 3 ENTRES A 90° / SIDE OUTLET ELBOW**

CODE	DESIGNATION	A	D
20-4	Angle supérieur à 3 entrées à 90° / Side Outlet Elbow, 1/2"	∅ 21,3mm	34 mm
20-5	Angle supérieur à 3 entrées à 90° / Side Outlet Elbow, 3/4"	∅ 26,9mm	41 mm
20-6	Angle supérieur à 3 entrées à 90° / Side Outlet Elbow, 1"	∅ 33,7mm	46 mm
20-7	Angle supérieur à 3 entrées à 90° / Side Outlet Elbow, 1 1/4"	∅ 42,4mm	60 mm
20-8	Angle supérieur à 3 entrées à 90° / Side Outlet Elbow, 1 1/2"	∅ 48,3mm	68 mm
20-9	Angle supérieur à 3 entrées à 90° / Side Outlet Elbow, 2"	∅ 60,3mm	85 mm

**ARTICLE 25****TE 3 DIRECTIONS / THREE SOCKET TEE**

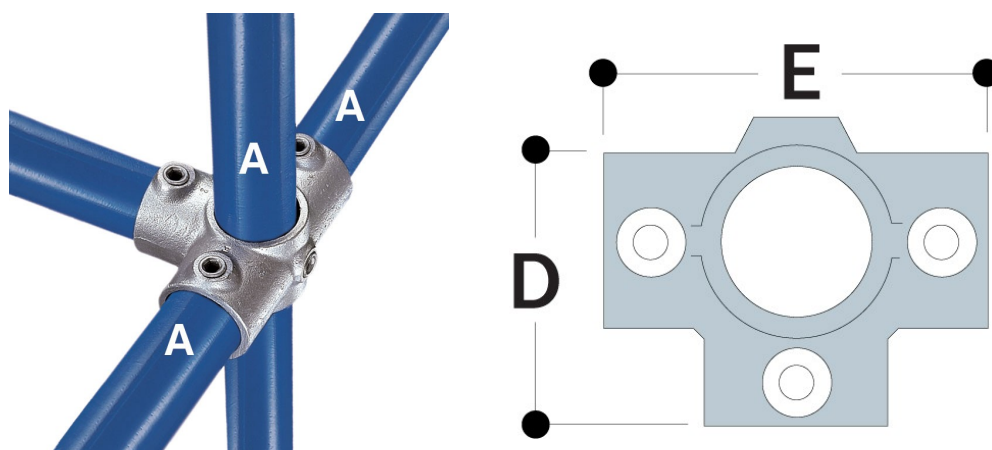
CODE	DESIGNATION	A	D	E
25-4	Té 3 directions / Three Socket Tee, 1/2"	∅ 21,3mm	34 mm	67 mm
25-5	Té 3 directions / Three Socket Tee, 3/4"	∅ 26,9mm	41 mm	82 mm
25-6	Té 3 directions / Three Socket Tee, 1"	∅ 33,7mm	46 mm	92 mm
25-7	Té 3 directions / Three Socket Tee, 1 1/4"	∅ 42,4mm	60 mm	120 mm
25-8	Té 3 directions / Three Socket Tee, 1 1/2"	∅ 48,3mm	68 mm	136 mm
25-9	Té 3 directions / Three Socket Tee, 2"	∅ 60,3mm	85 mm	168 mm

## ARTICLE 26 CROIX A 2 ENTREES / TWO SOCKET CROSS



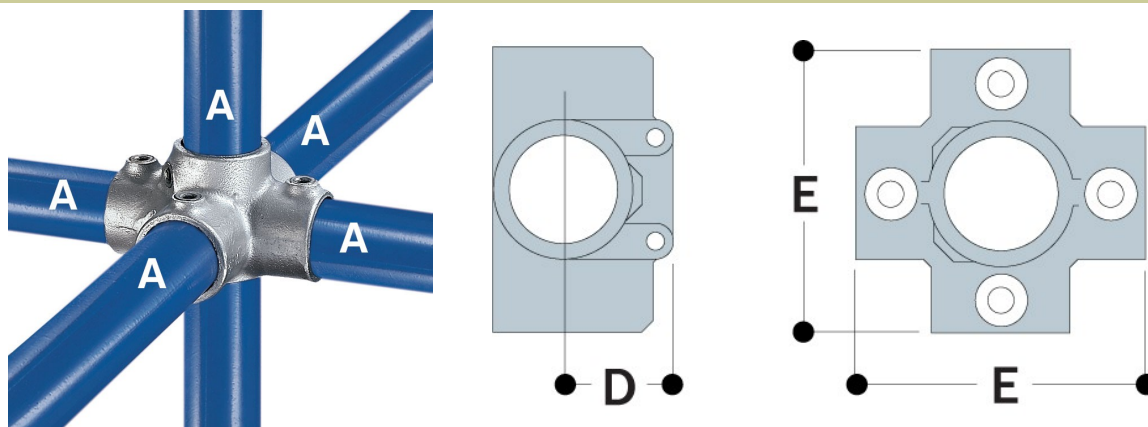
CODE	DESIGNATION	A	B	E
26-4	Croix à 2 entrées / Two socket cross, 1/2"	Ø 21,3mm	Ø 21,3mm	68 mm
26-5	Croix à 2 entrées / Two socket cross, 3/4"	Ø 26,9mm	Ø 26,9mm	81 mm
26-6	Croix à 2 entrées / Two socket cross, 1"	Ø 33,7mm	Ø 33,7mm	92 mm
26-7	Croix à 2 entrées / Two socket cross, 1 1/4"	Ø 42,4mm	Ø 42,4mm	120 mm
26-8	Croix à 2 entrées / Two socket cross, 1 1/2"	Ø 48,3mm	Ø 48,3mm	136 mm
26-87	Croix à 2 entrées / Two socket cross, 1 1/2"x 1 1/4"	Ø 48,3mm	Ø 42,4mm	126 mm
26-9	Croix à 2 entrées / Two socket cross, 2"	Ø 60,3mm	Ø 60,3mm	172 mm

## ARTICLE 35 CROIX A 3 ENTREES / THREE SOCKET CROSS



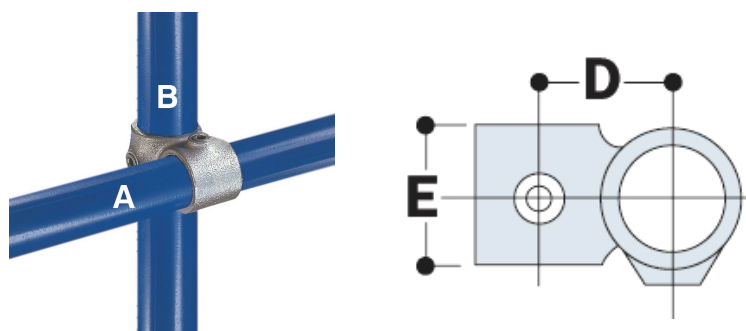
CODE	DESIGNATION	A	D	E
35-4	Croix à 3 entrées / Three socket cross, 1/2"	Ø 21,3mm	34 mm	67 mm
35-5	Croix à 3 entrées / Three socket cross, 3/4"	Ø 26,9mm	41 mm	82 mm
35-6	Croix à 3 entrées / Three socket cross, 1"	Ø 33,7mm	46 mm	92 mm
35-7	Croix à 3 entrées / Three socket cross, 1 1/4"	Ø 42,4mm	60 mm	120 mm
35-8	Croix à 3 entrées / Three socket cross, 1 1/2"	Ø 48,3mm	68 mm	136 mm
35-9	Croix à 3 entrées / Three socket cross, 2"	Ø 60,3mm	85 mm	170 mm

## ARTICLE 40 CROIX A 4 ENTREES / FOUR SOCKET CROSS



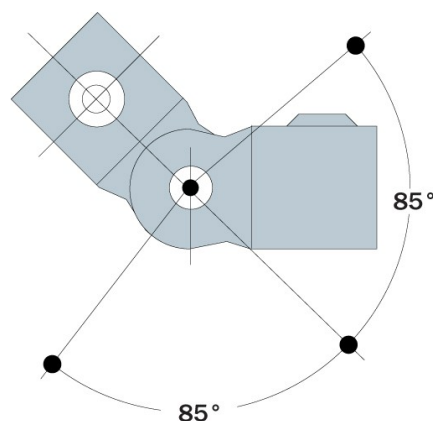
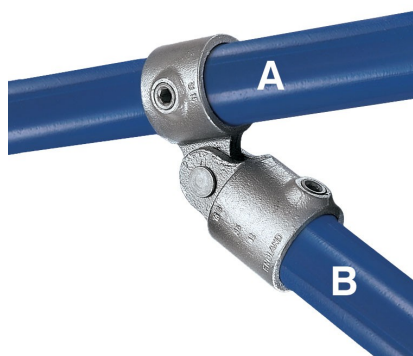
CODE	DESIGNATION	A	D	E
40-4	Croix à 3 entrées / Three socket cross, 1/2"	Ø 21,3mm	34 mm	67 mm
40-5	Croix à 3 entrées / Three socket cross, 3/4"	Ø 26,9mm	41 mm	82 mm
40-6	Croix à 3 entrées / Three socket cross, 1"	Ø 33,7mm	46 mm	92 mm
40-7	Croix à 3 entrées / Three socket cross, 1 1/4"	Ø 42,4mm	60 mm	120 mm
40-8	Croix à 3 entrées / Three socket cross, 1 1/2"	Ø 48,3mm	68 mm	136 mm
40-9	Croix à 3 entrées / Three socket cross, 2"	Ø 60,3mm	85 mm	170 mm

## ARTICLE 45 CROIX DECALEE / CROSSOVER



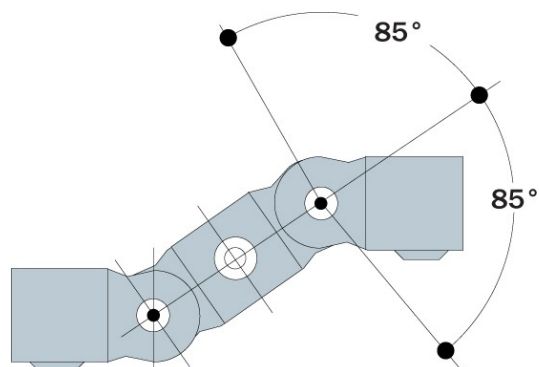
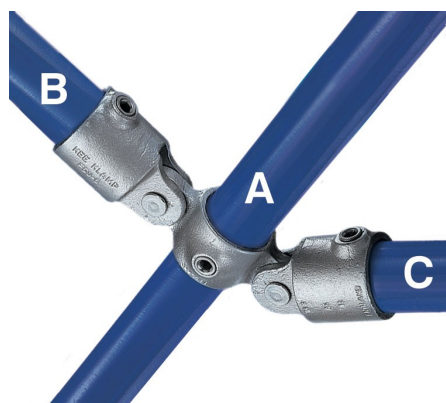
CODE	DESIGNATION	A	B	D	E	F
45-3	Croix décalée / Crossover, 3/8"	Ø 17,5mm	Ø 17,5mm	21 mm	25 mm	- mm
45-4	Croix décalée / Crossover, 1/2"	Ø 21,3mm	Ø 21,3mm	25 mm	28 mm	- mm
45-5	Croix décalée / Crossover, 3/4"	Ø 26,9mm	Ø 26,9mm	34 mm	31 mm	- mm
45-6	Croix décalée / Crossover, 1"	Ø 33,7mm	Ø 33,7mm	40 mm	38 mm	- mm
45-65	Croix décalée / Crossover, 1" x 3/4"	Ø 33,7mm	Ø 26,9mm	36 mm	41 mm	37 mm
45-7	Croix décalée / Crossover, 1 1/4"	Ø 42,4mm	Ø 42,4mm	55 mm	46 mm	- mm
45-76	Croix décalée / Crossover, 1 1/4" x 1"	Ø 42,4mm	Ø 33,7mm	45 mm	46 mm	38 mm
45-8	Croix décalée / Crossover, 1 1/2"	Ø 48,3mm	Ø 48,3mm	55 mm	50 mm	- mm
45-86	Croix décalée / Crossover, 1 1/2" x 1"	Ø 48,3mm	Ø 33,7mm	48 mm	51 mm	38 mm
45-87	Croix décalée / Crossover, 1 1/2" x 1 1/4"	Ø 48,3mm	Ø 42,4mm	51 mm	51 mm	46 mm
45-9	Croix décalée / Crossover, 2"	Ø 60,3mm	Ø 60,3mm	67 mm	61 mm	- mm
45-98	Croix décalée / Crossover, 2" x 1 1/2"	Ø 60,3mm	Ø 48,3mm	60 mm	75 mm	73 mm

## ARTICLE C50 RACCORD ORIENTABLE SIMPLE / SINGLE SWIVEL SOCKET



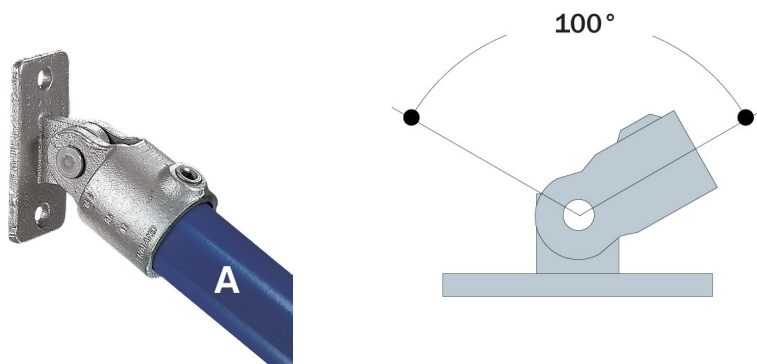
CODE	DESIGNATION	A	B
C50-44	Raccord orientable simple, Single Swivel Socket, 1/2"	Ø 21,3mm	Ø 21,3mm
C50-55	Raccord orientable simple, Single Swivel Socket, 3/4"	Ø 26,9mm	Ø 26,9mm
C50-66	Raccord orientable simple, Single Swivel Socket, 1"	Ø 33,7mm	Ø 33,7mm
C50-77	Raccord orientable simple, Single Swivel Socket, 1 1/4"	Ø 42,4mm	Ø 42,4mm
C50-88	Raccord orientable simple, Single Swivel Socket, 1 1/2"	Ø 48,3mm	Ø 48,3mm
C50-99	Raccord orientable simple, Single Swivel Socket, 2"	Ø 60,3mm	Ø 60,3mm

## ARTICLE C51 RACCORD ORIENTABLE DOUBLE / DOUBLE SWIVEL SOCKET



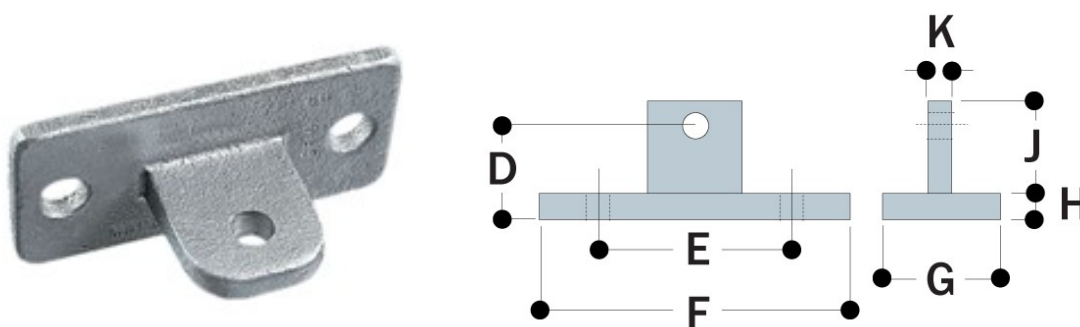
CODE	DESIGNATION	A	B	C
C51-555	Raccord orientable double / Double Swivel Socket, 3/4"	Ø 26,9mm	Ø 26,9mm	Ø 26,9mm
C51-666	Raccord orientable double / Double Swivel Socket, 1"	Ø 33,7mm	Ø 33,7mm	Ø 33,7mm
C51-777	Raccord orientable double / Double Swivel Socket, 1 1/4"	Ø 42,4mm	Ø 42,4mm	Ø 42,4mm
C51-888	Raccord orientable double / Double Swivel Socket, 1 1/2"	Ø 48,3mm	Ø 48,3mm	Ø 48,3mm
C51-999	Raccord orientable double / Double Swivel Socket, 2"	Ø 60,3mm	Ø 60,3mm	Ø 60,3mm

## ARTICLE C58 SOCLE ORIENTABLE / SWIVEL FLANGE



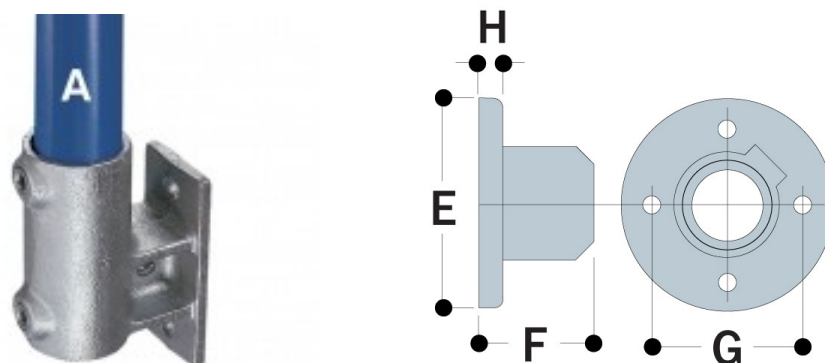
CODE	DESIGNATION	A
C58-5	Socle orientable / Swivel flange, 3/4"	Ø 26,9mm
C58-6	Socle orientable / Swivel flange, 1"	Ø 33,7mm
C58-7	Socle orientable / Swivel flange, 1 1/4"	Ø 42,4mm
C58-8	Socle orientable / Swivel flange, 1 1/2"	Ø 48,3mm
C58-9	Socle orientable / Swivel flange, 2"	Ø 60,3mm

## ARTICLE M58 SEMELLE DE FIXATION / BASE PLATE



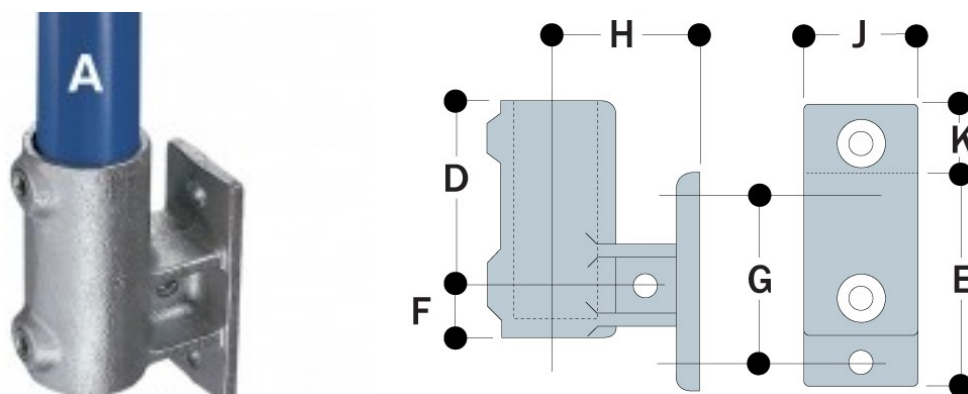
CODE	DESIGNATION	D	E	F	G	H	J	K	Ø
M58-8	Semelle de fixation / Base Plate,	35 mm	84 mm	112 mm	51 mm	6 mm	45 mm	9 mm	11 mm

## ARTICLE 61 FIXATION MURALE / FLANGE



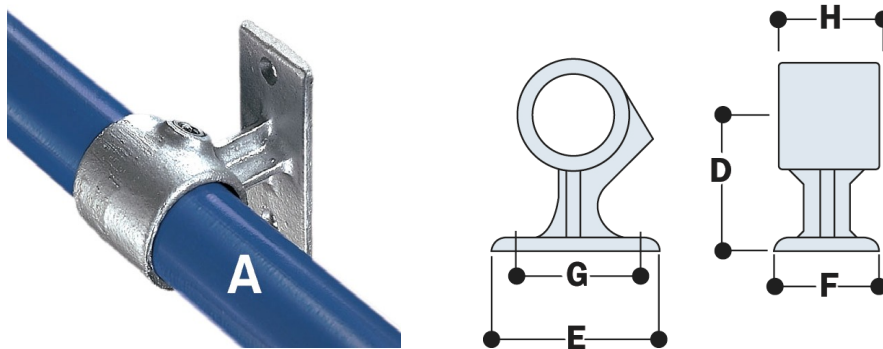
CODE	DESIGNATION	A	E	F	G	H	Ø
61-3	Fixation murale / Flange, 3/8"	Ø 17,5mm	70 mm	32 mm	47 mm	6 mm	6.5 mm
61-4	Fixation murale / Flange, 1/2"	Ø 21,3mm	76 mm	39 mm	54 mm	6 mm	6.5 mm
61-5	Fixation murale / Flange, 3/4"	Ø 26,9mm	80 mm	40 mm	57 mm	6 mm	6.5 mm
61-6	Fixation murale / Flange, 1"	Ø 33,7mm	90 mm	48 mm	64 mm	6 mm	6.5 mm
61-7	Fixation murale / Flange,, 1 1/4"	Ø 42,4mm	102 mm	51 mm	76 mm	7 mm	6.5 mm
61-8	Fixation murale / Flange, 1 1/2"	Ø 48,3mm	114 mm	59 mm	89 mm	8 mm	6.5 mm
61-9	Fixation murale / Flange, 2"	Ø 60,3mm	127 mm	63 mm	95 mm	10 mm	10 mm

## ARTICLE 64 FIXATION MURALE VERTICALE / VERTICAL RAILING



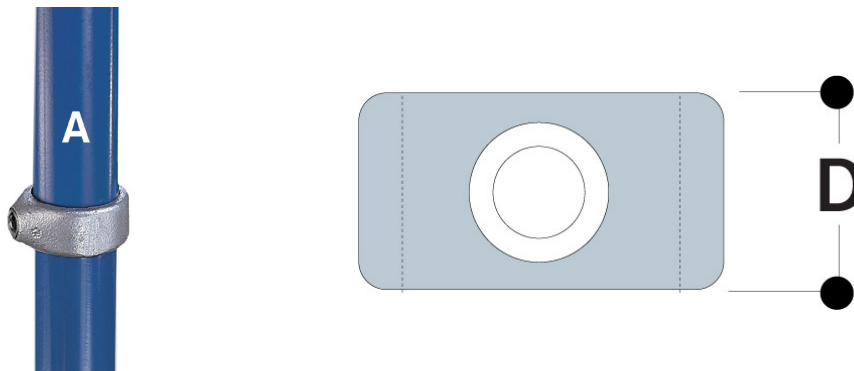
CODE	DESIGNATION	A	D	E	F	G	H	J	K	Ø
64-6	Fixation murale verticale / Vertical Railing, 1"	Ø 33,7mm	86 mm	95 mm	22 mm	67 mm	57 mm	45 mm	39 mm	14 mm
64-7	Fixation murale verticale / Vertical Railing, 1 1/4"	Ø 42,4mm	84 mm	108 mm	30 mm	72 mm	64 mm	50 mm	30 mm	14 mm
64-8	Fixation murale verticale / Vertical Railing, 1 1/2"	Ø 48,3mm	89 mm	121 mm	32 mm	89 mm	70 mm	58 mm	28 mm	14 mm

## ARTICLE 70 FIXATION HORIZONTALE / RAILING SUPPORT



CODE	DESIGNATION	A	D	E	F	G	H	Ø
70-5	Fixation horizontale / Rail Support, 3/4"	Ø 26,9mm	54 mm	76 mm	46 mm	57 mm	38 mm	8 mm
70-6	Fixation horizontale / Rail Support, 1"	Ø 33,7mm	58 mm	88 mm	40 mm	70 mm	38 mm	8 mm
70-7	Fixation horizontale / Rail Support, 1 1/4"	Ø 42,4mm	64 mm	102 mm	45 mm	82 mm	45 mm	8 mm
70-8	Fixation horizontale / Rail Support, 1 1/2"	Ø 48,3mm	70 mm	108 mm	52 mm	82 mm	58 mm	8 mm

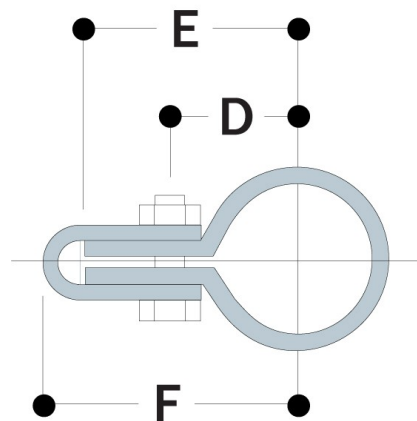
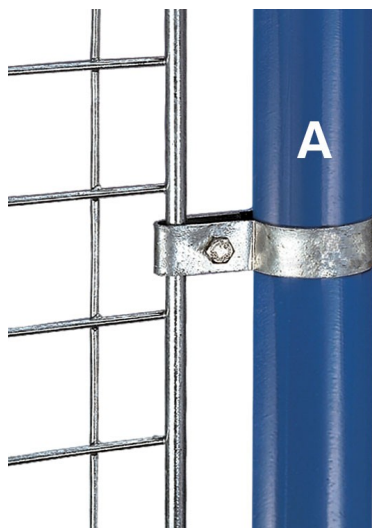
## ARTICLE 75 ANNEAU / COLLAR



CODE	DESIGNATION	A	D
75-4	Anneau / Collar, 1/2"	Ø 21,3mm	22 mm
75-5	Anneau / Collar, 3/4"	Ø 26,9mm	25 mm
75-6	Anneau / Collar, 1"	Ø 33,7mm	26 mm
75-7	Anneau / Collar, 1 1/4"	Ø 42,4mm	25 mm
75-8	Anneau / Collar, 1 1/2"	Ø 48,3mm	25 mm

## ARTICLE 81

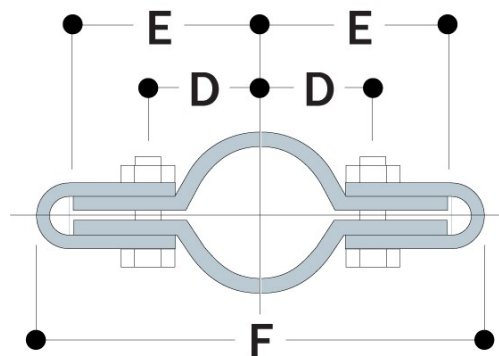
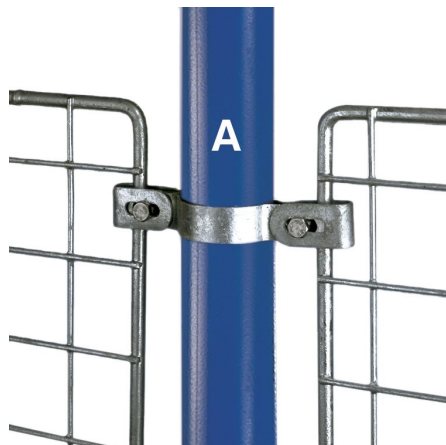
### ATTACHE SIMPLE POUR GRILLE / SINGLE SIDED CLIP



CODE	DESIGNATION	A	D	E	F	Ø
81-5	Attache simple pour grille / Single Sided Clip, 3/4"	Ø 26,9mm	24 mm	39 mm	56 mm	7.5 mm
81-6	Attache simple pour grille / Single Sided Clip, 1"	Ø 33,7mm	27 mm	42 mm	59 mm	7.5 mm
81-7	Attache simple pour grille / Single Sided Clip, 1 1/4"	Ø 42,4mm	32 mm	47 mm	64 mm	7.5 mm
81-8	Attache simple pour grille / Single Sided Clip, 1 1/2"	Ø 48,3mm	34 mm	49 mm	66 mm	7.5 mm
81-9	Attache simple pour grille / Single Sided Clip, 2"	Ø 60,3mm	40 mm	55 mm	72 mm	7.5 mm

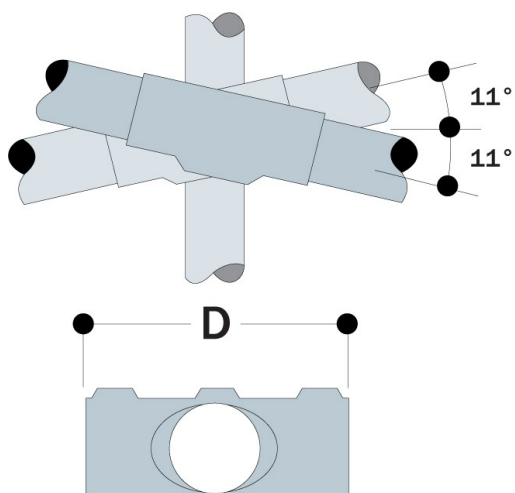
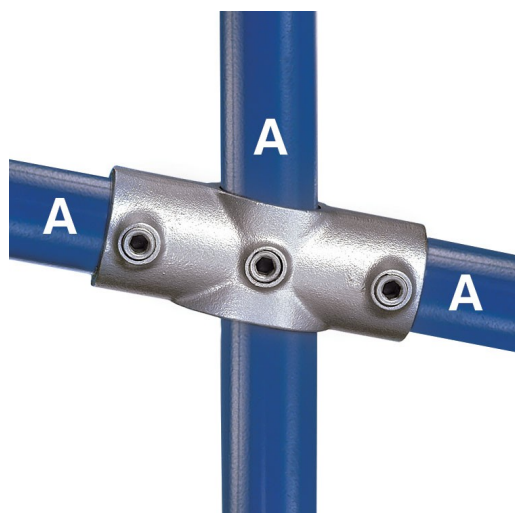
## ARTICLE 82

### ATTACHE DOUBLE POUR GRILLE / DOUBLE SIDED CLIP



CODE	DESIGNATION	A	D	E	F	Ø
82-5	Attache double pour grille / Double Sided Clip, 3/4"	Ø 26,9mm	24 mm	39 mm	112 mm	7 mm
82-6	Attache double pour grille / Double Sided Clip, 1"	Ø 33,7mm	27 mm	42 mm	118 mm	7 mm
82-7	Attache double pour grille / Double Sided Clip, 1 1/4"	Ø 42,4mm	32 mm	47 mm	128 mm	7 mm
82-8	Attache double pour grille / Double Sided Clip, 1 1/2"	Ø 48,3mm	34 mm	49 mm	132 mm	7 mm
82-9	Attache double pour grille / Double Sided Clip, 2"	Ø 60,3mm	40 mm	55 mm	144 mm	7 mm



**ARTICLE 89****CROIX A 2 ENTREES ORIENTABLE / TWO SOCKET ANGLE CROSS**

CODE	DESIGNATION	A	B	D
89-7	Croix à deux entrées orientable / Two Socket Angle Cross, 1 1/4"	∅ 42,4mm	∅ 42,4mm	144 mm
89-8	Croix à deux entrées orientable / Two Socket Angle Cross, 1 1/2"	∅ 48,3mm	∅ 48,3mm	158 mm
89-87	Croix à deux entrées orientable / Two Socket Angle Cross, 1 1/2" x 1 1/4"	∅ 48,3mm	∅ 42,4mm	155 mm

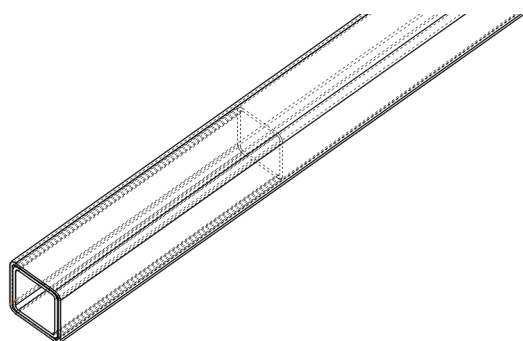
## ARTICLE 1000 POTEAU CARRE



CODE	DESIGNATION	L*
<b>Epaisseur 3mm</b>		
1000-1	Poteau carré	1600mm
1000-2	Poteau carré	2000mm
1000-3	Poteau carré	2200mm
1000-4	Poteau carré	2500mm
1000-5	Poteau carré	3000mm
<b>Epaisseur 4mm</b>		
1000-6	Poteau carré	1600mm
1000-7	Poteau carré	2000mm
1000-8	Poteau carré	2200mm
1000-9	Poteau carré	2500mm
1000-10	Poteau carré	3000mm

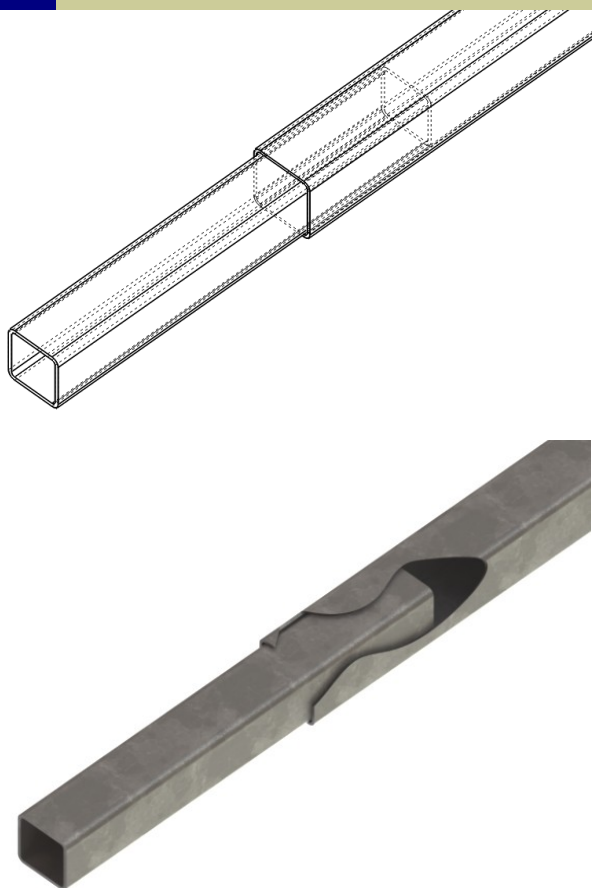
\* D'autres longueurs possible jusqu'à 12m nous consulter

## ARTICLE 1001 POTEAU CARRE RENFORCE



CODE	DESIGNATION	L
<b>Epaisseur 3mm</b>		
1001-1	Poteau carré renforcé	1600mm
1001-2	Poteau carré renforcé	2000mm
1001-3	Poteau carré renforcé	2200mm
1001-4	Poteau carré renforcé	2500mm
1001-5	Poteau carré renforcé	3000mm
<b>Epaisseur 4mm</b>		
1001-6	Poteau carré renforcé	1600mm
1001-7	Poteau carré renforcé	2000mm
1001-8	Poteau carré renforcé	2200mm
1001-9	Poteau carré renforcé	2500mm
1001-10	Poteau carré renforcé	3000mm

## ARTICLE 1002 POTEAU RETREINT



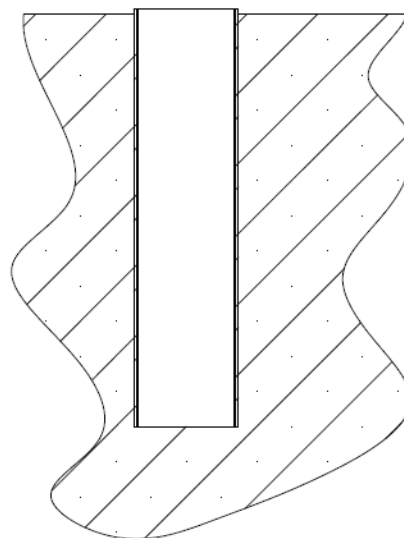
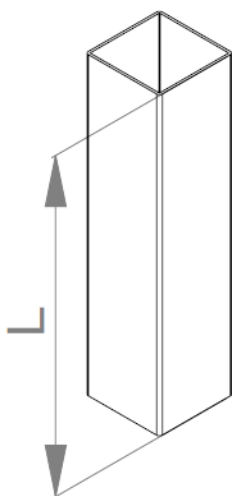
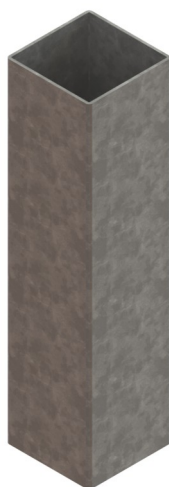
CODE	DESIGNATION	L*
<b>Epaisseur 3mm</b>		
1002-1	Poteau rétreint	1600mm
1002-2	Poteau rétreint	2000mm
1002-3	Poteau rétreint	2200mm
1002-4	Poteau rétreint	2500mm
1002-5	Poteau rétreint	3000mm
<b>Epaisseur 4mm</b>		
1002-6	Poteau rétreint	1600mm
1002-7	Poteau rétreint	2000mm
1002-8	Poteau rétreint	2200mm
1002-9	Poteau rétreint	2500mm
1002-10	Poteau rétreint	3000mm

## ARTICLE 1003 POTEAU AVEC PASSAGE INTERNE



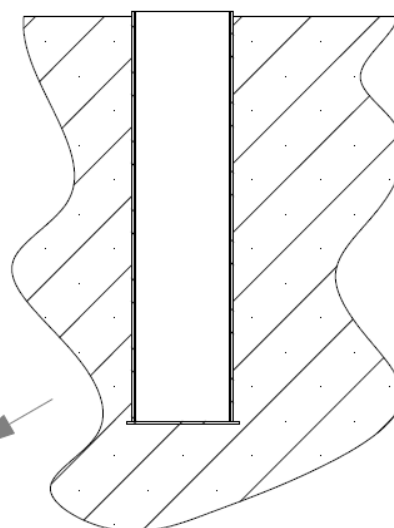
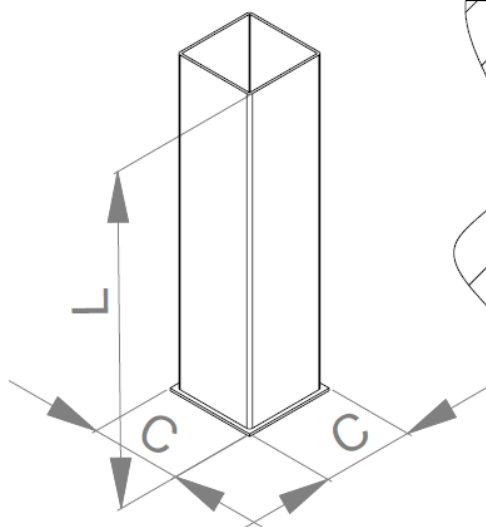
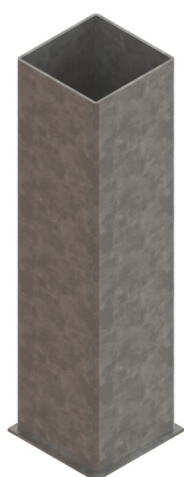
CODE	DESIGNATION	C	L
<b>Epaisseur 3mm</b>			
1003-1	Poteau avec passage interne	130mm	1600mm
1003-2	Poteau avec passage interne	130mm	2000mm
1003-3	Poteau avec passage interne	130mm	2200mm
1003-4	Poteau avec passage interne	130mm	2500mm
1003-5	Poteau avec passage interne	130mm	3000mm
<b>Epaisseur 4mm</b>			
1003-6	Poteau avec passage interne	130mm	1600mm
1003-7	Poteau avec passage interne	130mm	2000mm
1003-8	Poteau avec passage interne	130mm	2200mm
1003-9	Poteau avec passage interne	130mm	2500mm
1003-10	Poteau avec passage interne	130mm	3000mm

## ARTICLE 1004 FOURREAU A SCELLER



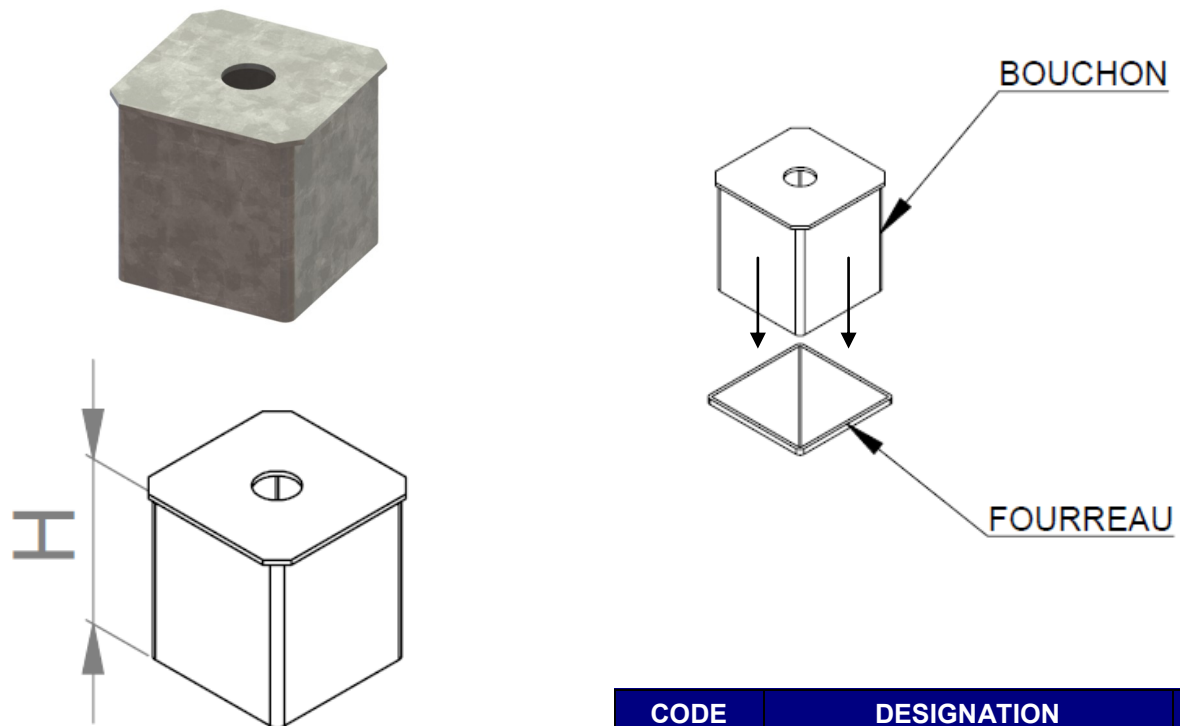
CODE	DESIGNATION	L
1004-1	Fourreau à sceller	400mm
1004-2	Fourreau à sceller	500mm
1004-3	Fourreau à sceller	600mm

## ARTICLE 1005 FOURREAU A SCELLER ETANCHE



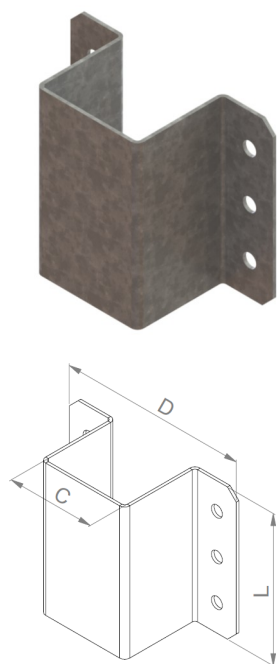
CODE	DESIGNATION	C	L
1005-1	Fourreau à sceller étanche	300mm	400mm
1005-2	Fourreau à sceller étanche	300mm	500mm
1005-3	Fourreau à sceller étanche	300mm	600mm

**ARTICLE 1006**  
**BOUCHON POUR FOURREAU**



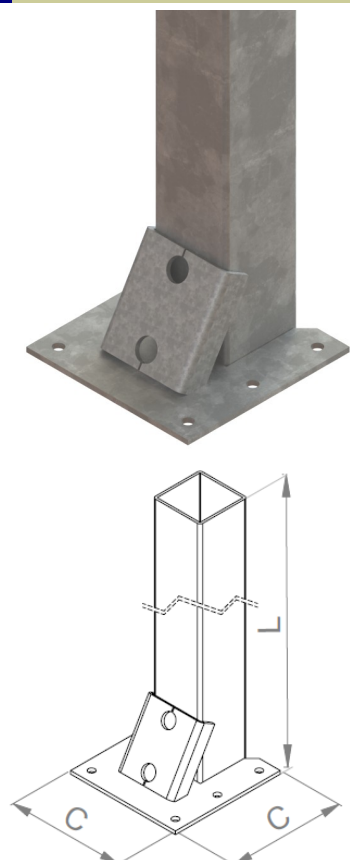
CODE	DESIGNATION	H
1006-1	Bouchon fourreau	100mm

**ARTICLE 1007**  
**FIXATION MURALE POUR POTEAU CARRE**



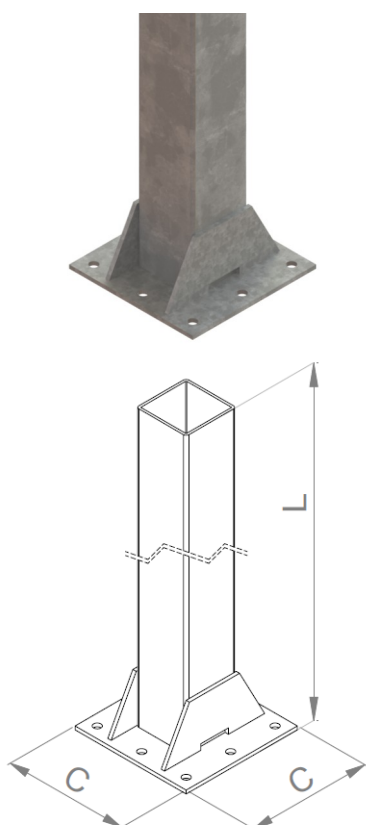
CODE	DESIGNATION	C	D	L
1007-1	Fixation murale pour poteau carré	92mm	190mm	150mm

## ARTICLE 1008 POTEAU DESAXE



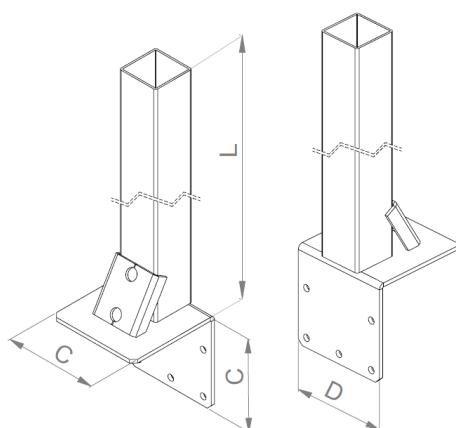
CODE	DESIGNATION	C	L
<b>Epaisseur 3mm</b>			
1008-1	Poteau à fixation désaxée	200mm	1600mm
1008-2	Poteau à fixation désaxée	200mm	2000mm
1008-3	Poteau à fixation désaxée	200mm	2200mm
1008-4	Poteau à fixation désaxée	200mm	2500mm
1008-5	Poteau à fixation désaxée	200mm	3000mm
<b>Epaisseur 4mm</b>			
1008-6	Poteau à fixation désaxée	200mm	1600mm
1008-7	Poteau à fixation désaxée	200mm	2000mm
1008-8	Poteau à fixation désaxée	200mm	2200mm
1008-9	Poteau à fixation désaxée	200mm	2500mm
1008-10	Poteau à fixation désaxée	200mm	3000mm

## ARTICLE 1009 POTEAU A FIXATION CENTREE



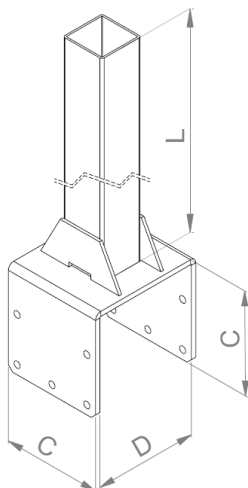
CODE	DESIGNATION	C	L
<b>Epaisseur 3mm</b>			
1009-1	Poteau à fixation centrée	200mm	1600mm
1009-2	Poteau à fixation centrée	200mm	2000mm
1009-3	Poteau à fixation centrée	200mm	2200mm
1009-4	Poteau à fixation centrée	200mm	2500mm
1009-5	Poteau à fixation centrée	200mm	3000mm
<b>Epaisseur 4mm</b>			
1009-6	Poteau à fixation centrée	200mm	1600mm
1009-7	Poteau à fixation centrée	200mm	2000mm
1009-8	Poteau à fixation centrée	200mm	2200mm
1009-9	Poteau à fixation centrée	200mm	2500mm
1009-10	Poteau à fixation centrée	200mm	3000mm

## ARTICLE 1010 POTEAU D'ANGLE



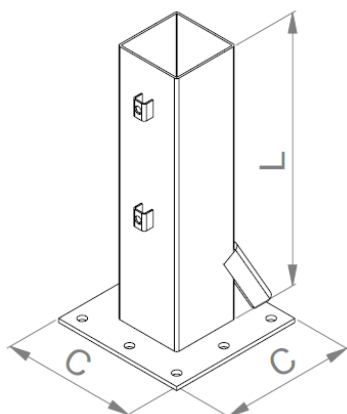
CODE	DESIGNATION	C	D	L
<b>Epaisseur 3mm</b>				
1010-1	Poteau d'angle	200mm	200mm	1600mm
1010-2	Poteau d'angle	200mm	200mm	2000mm
1010-3	Poteau d'angle	200mm	200mm	2200mm
1010-4	Poteau d'angle	200mm	200mm	2500mm
1010-5	Poteau d'angle	200mm	200mm	3000mm
<b>Epaisseur 4mm</b>				
1010-6	Poteau d'angle	200mm	200mm	1600mm
1010-7	Poteau d'angle	200mm	200mm	2000mm
1010-8	Poteau d'angle	200mm	200mm	2200mm
1010-9	Poteau d'angle	200mm	200mm	2500mm
1010-10	Poteau d'angle	200mm	200mm	3000mm

## ARTICLE 1011 POTEAU A COIFFE



CODE	DESIGNATION	C	D	L
<b>Epaisseur 3mm</b>				
1011-1	Poteau à coiffe	200mm	200mm	1600mm
1011-2	Poteau à coiffe	200mm	200mm	2000mm
1011-3	Poteau à coiffe	200mm	200mm	2200mm
1011-4	Poteau à coiffe	200mm	200mm	2500mm
1011-5	Poteau à coiffe	200mm	200mm	3000mm
<b>Epaisseur 4mm</b>				
1011-6	Poteau à coiffe	200mm	200mm	1600mm
1011-7	Poteau à coiffe	200mm	200mm	2000mm
1011-8	Poteau à coiffe	200mm	200mm	2200mm
1011-9	Poteau à coiffe	200mm	200mm	2500mm
1011-10	Poteau à coiffe	200mm	200mm	3000mm

**ARTICLE 1012**  
**FOURREAU A FIXER**



CODE	DESIGNATION	C	L
1012-1	Fourreau à fixer	200mm	400mm

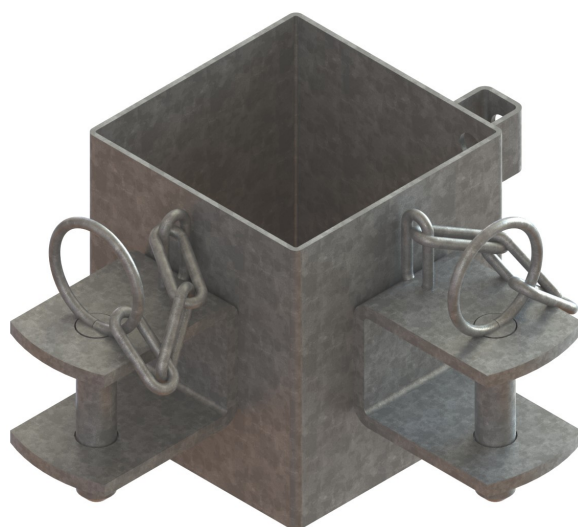


**ARTICLE 1100**  
**DOUILLE SIMPLE 1 DIRECTION**



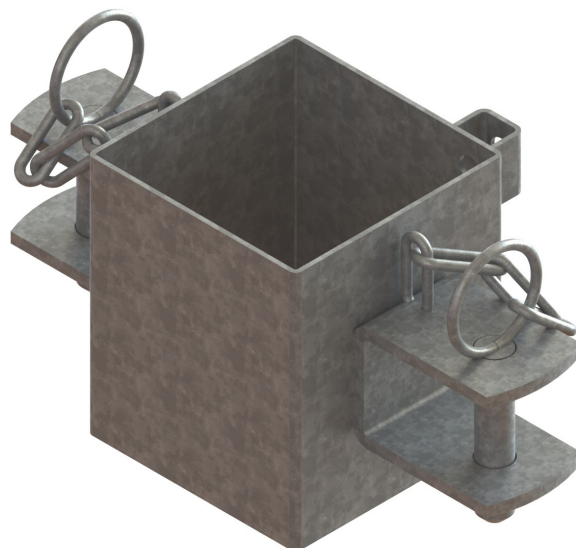
CODE	DESIGNATION	DIAMETRE
1100-1	Douille simple 1 direction	⊠ 90mm

**ARTICLE 1101**  
**DOUILLE SIMPLE 2 DIRECTIONS A 90°**



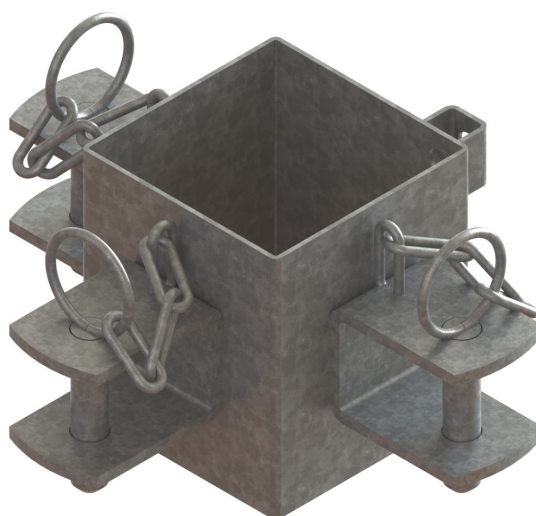
CODE	DESIGNATION	DIAMETRE
1101-1	Douille simple 2 directions à 90°	⊠ 90mm

**ARTICLE 1102**  
**DOUILLE SIMPLE 2 DIRECTIONS FACE A FACE**



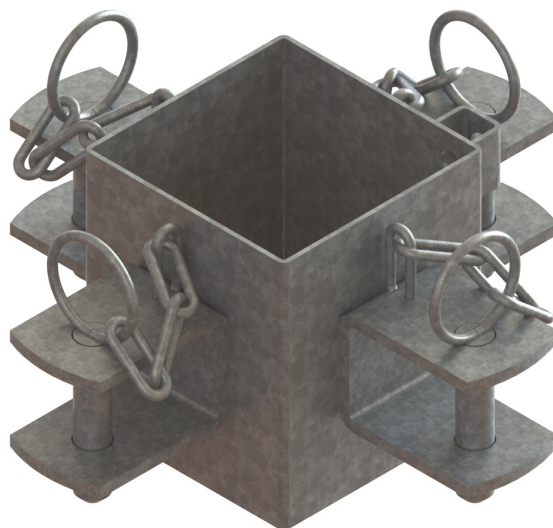
CODE	DESIGNATION	DIAMETRE
1102-1	Douille simple 2 directions face à face	90mm

**ARTICLE 1103**  
**DOUILLE SIMPLE 3 DIRECTIONS**



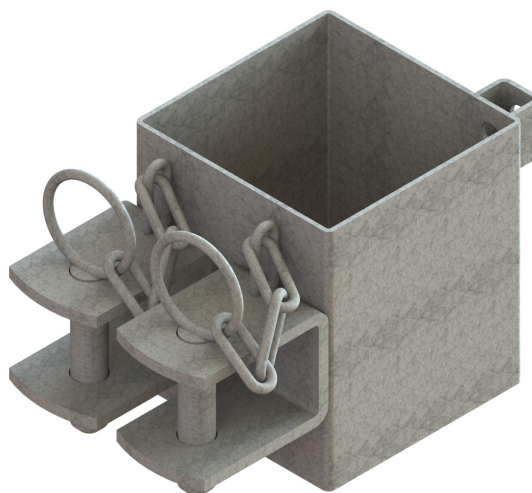
CODE	DESIGNATION	DIAMETRE
1103-1	Douille simple 3 directions	90mm

**ARTICLE 1104**  
**DOUILLE SIMPLE 4 DIRECTIONS**



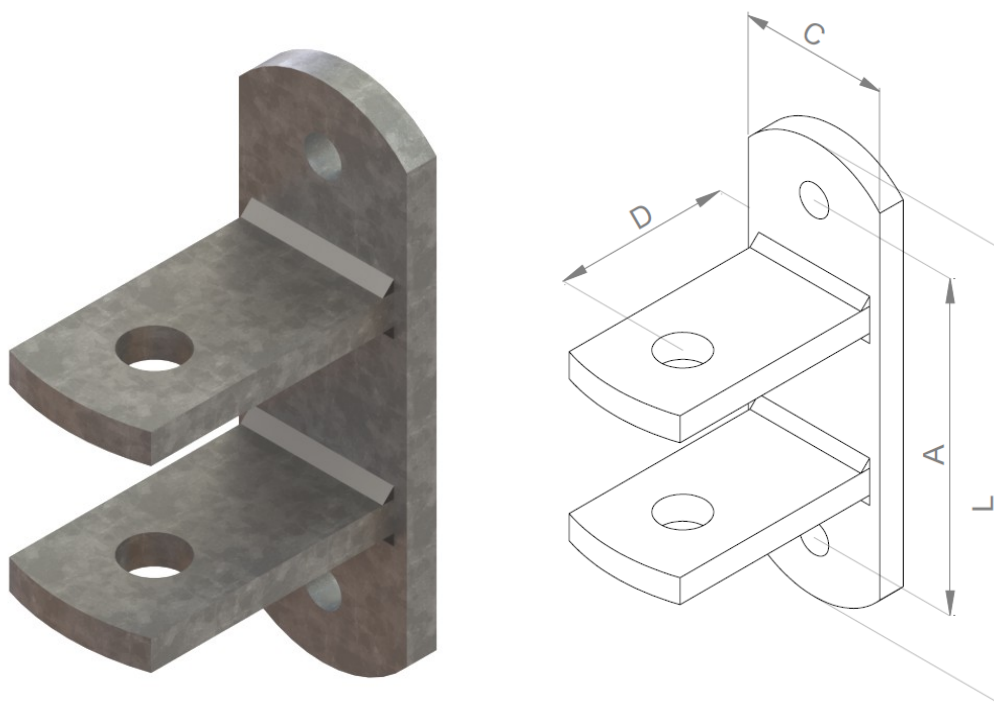
CODE	DESIGNATION	DIAMETRE
1104-1	Douille simple 4 directions	90mm

**ARTICLE 1105**  
**DOUILLE 2 DIRECTIONS COTE A COTE**



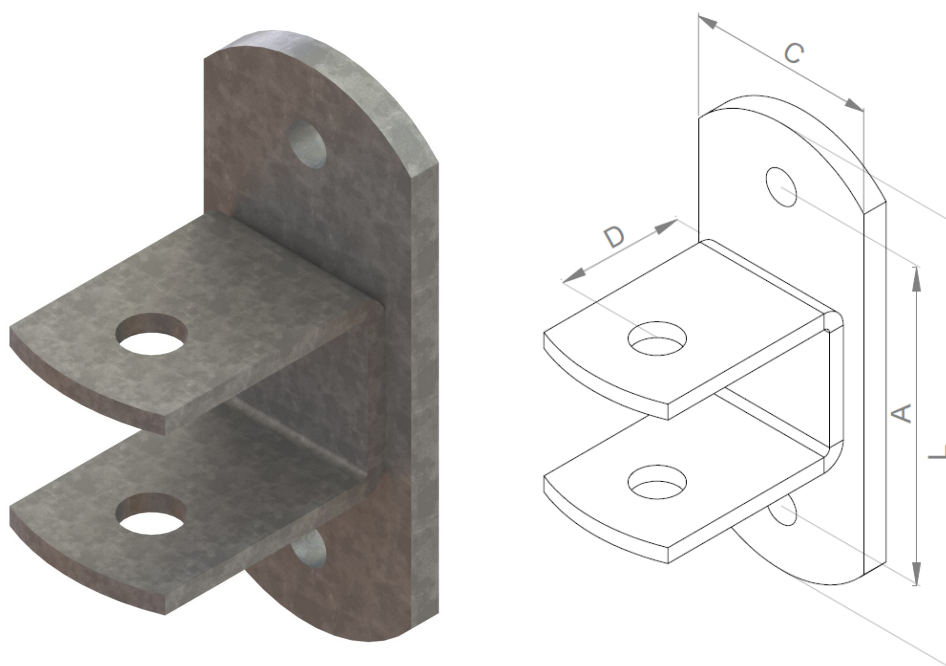
CODE	DESIGNATION	DIAMETRE
1105-1	Douille 2 directions côte à côte	90mm

**ARTICLE 1106**  
**CHAPE STANDARD SANS CHAINETTE**



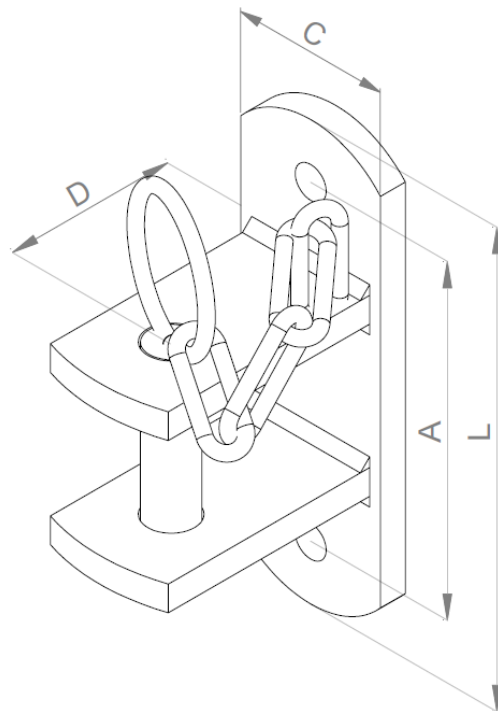
CODE	DESIGNATION	A	C	D	L
1106-1	Chape standard sans chainette	100mm	45mm	50mm	135mm

**ARTICLE 1107**  
**CHAPE LARGE SANS CHAINETTE**



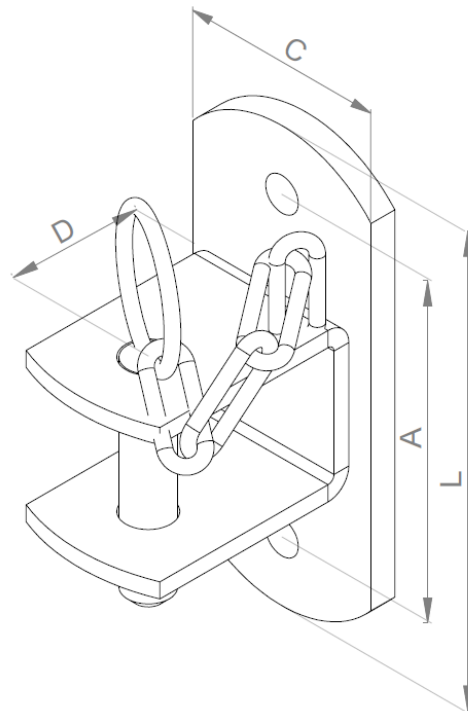
CODE	DESIGNATION	A	C	D	L
1107-1	Chape large sans chainette	100mm	60mm	50mm	140mm

**ARTICLE 1111**  
**CHAPE STANDARD AVEC CHAINETTE**



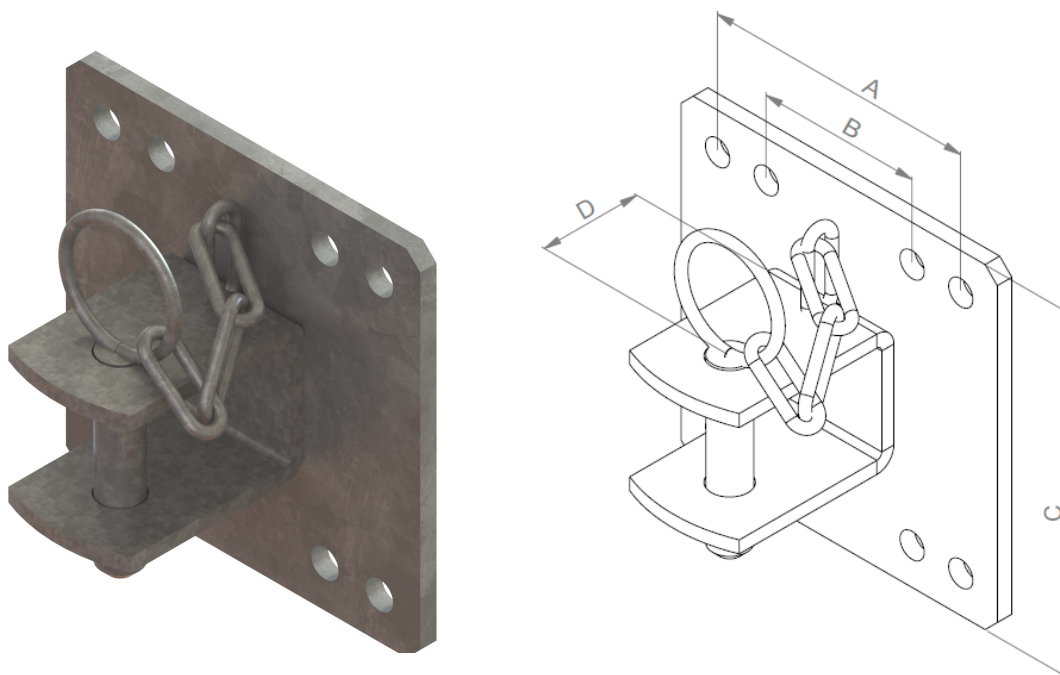
CODE	DESIGNATION	A	C	D	L
1111-1	Chape standard avec chainette	100mm	45mm	50mm	135mm

**ARTICLE 1112**  
**CHAPE LARGE AVEC CHAINETTE**



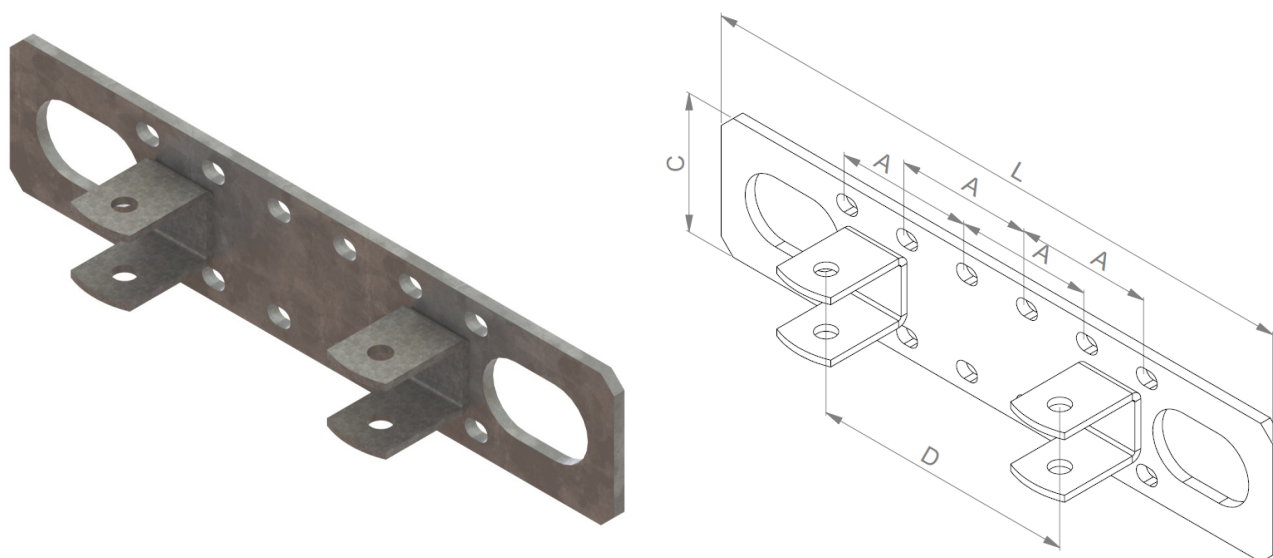
CODE	DESIGNATION	A	C	D	L
1112-1	Chape large avec chainette	100mm	60mm	50mm	140mm

**ARTICLE 1108  
CHAPE SUR UPN**



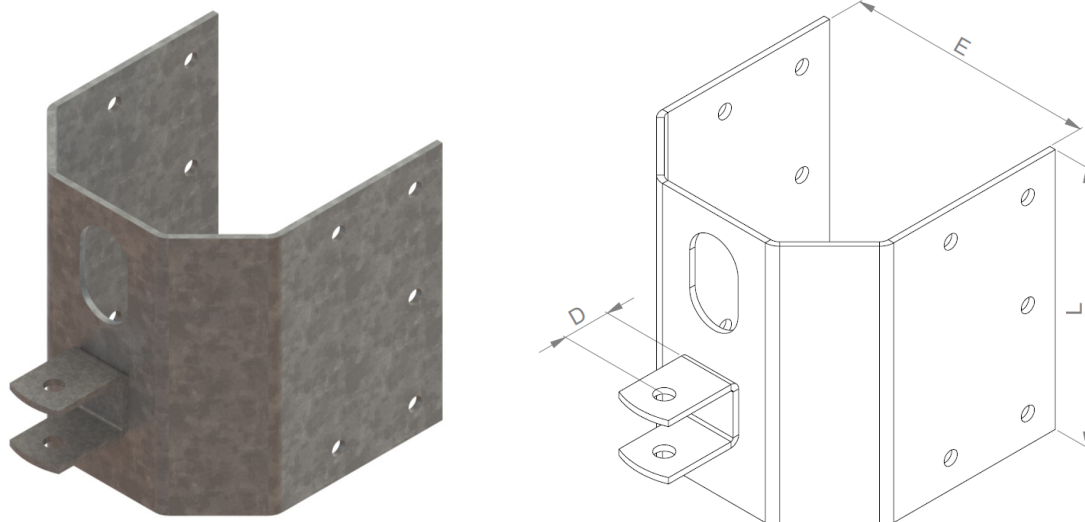
CODE	DESIGNATION	A	B	C	D
1106-1	Chape standard	100mm	60mm	130mm	50mm

**ARTICLE 1109  
DOUBLE CHAPE MURALE**



CODE	DESIGNATION	A	D	C	L
1109-1	Double chape murale	100m	195mm	100mm	460mm

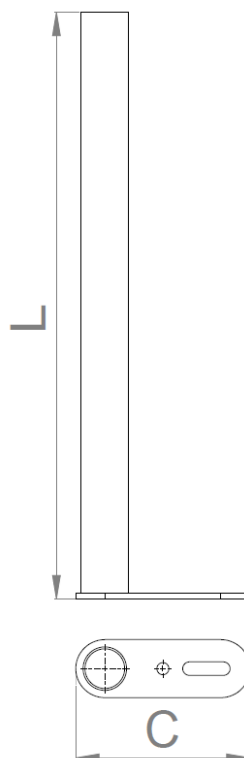
**ARTICLE 1110**  
**FIXATION NEZ DE MUR**



CODE	DESIGNATION	L	E	D
1110-1	Chape nez de mur	220m	150mm	45mm
1110-2	Chape nez de mur	220m	200mm	45mm
1110-3	Chape nez de mur	220m	250mm	45mm
1110-4	Chape nez de mur	220m	300mm	45mm

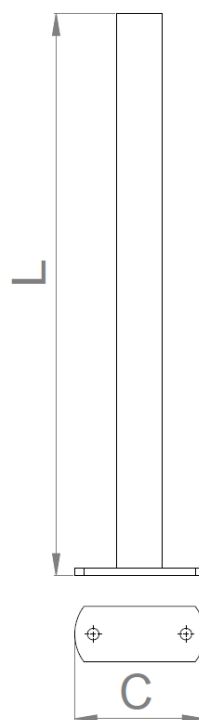
**ARTICLE XXXXX**  
**XXXXXX**

**ARTICLE 1200**  
**FIXATION CORNADIS DESAXEE**



CODE	DESIGNATION	C	L
1200-1	Fixation cornadis désaxé	180mm	600mm

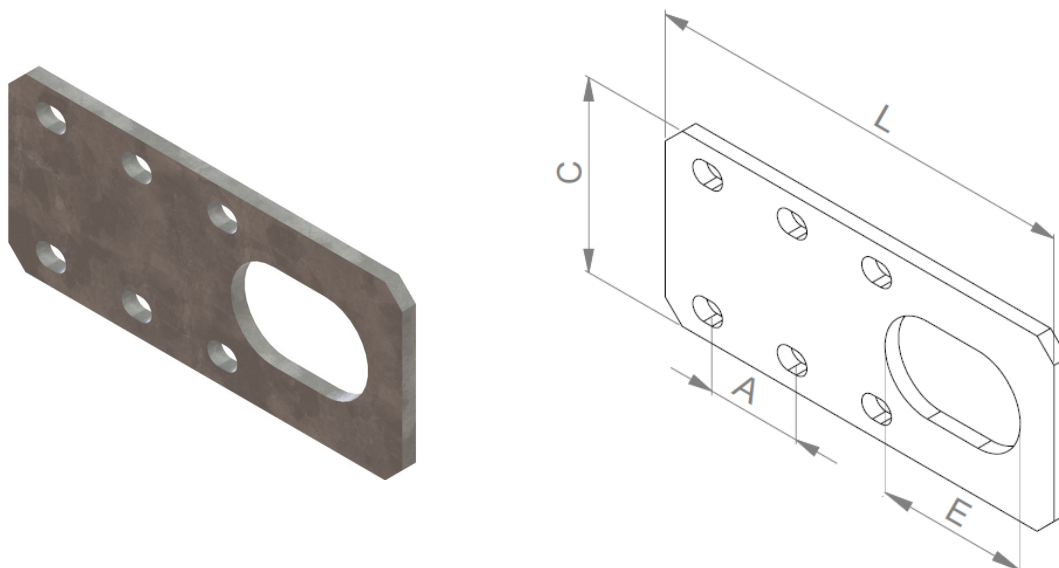
**ARTICLE 1201**  
**FIXATION CORNADIS CENTREE**



CODE	DESIGNATION	C	L
1201-1	Fixation cornadis centrée	180mm	600mm

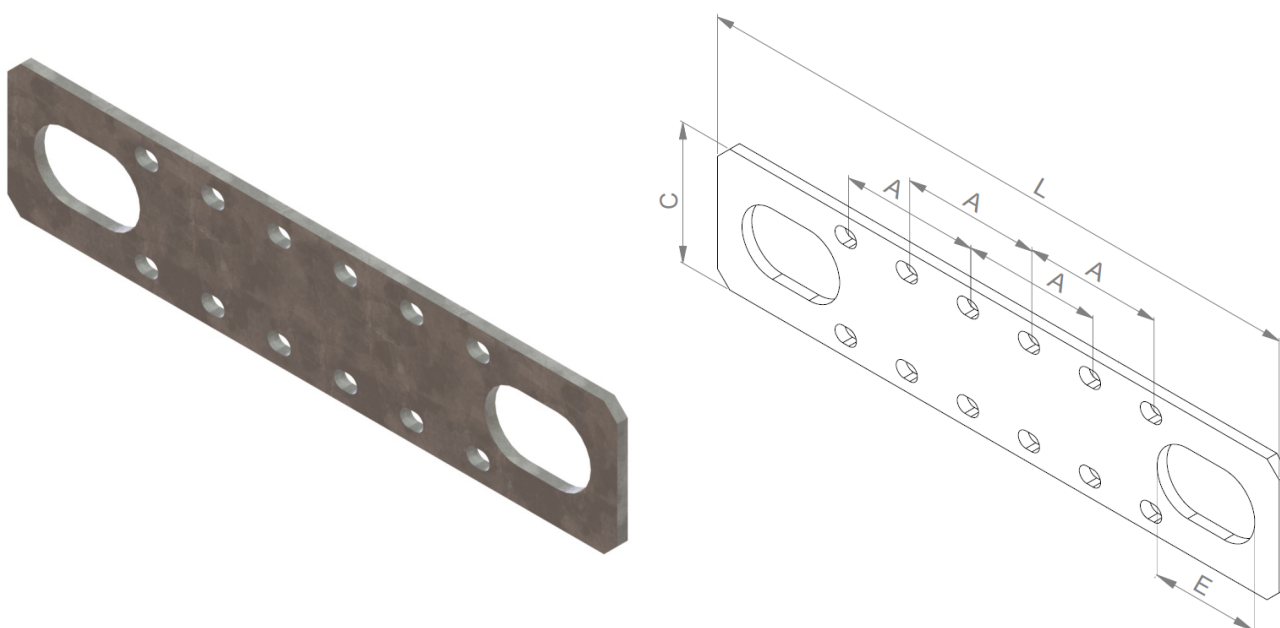


## ARTICLE 1300 VERROU SIMPLE



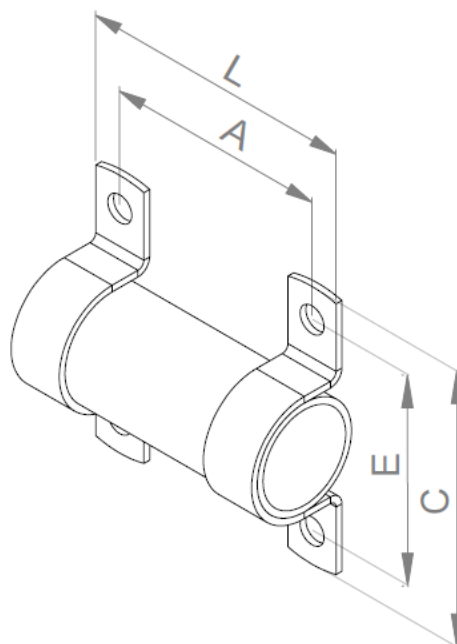
CODE	DESIGNATION	A	L	E	C
1300-1	Verrou simple	50mm	230m	65mm	100mm
1300-2	Verrou simple EX5	500mm	230m	65mm	100mm

## ARTICLE 1301 VERROU DOUBLE



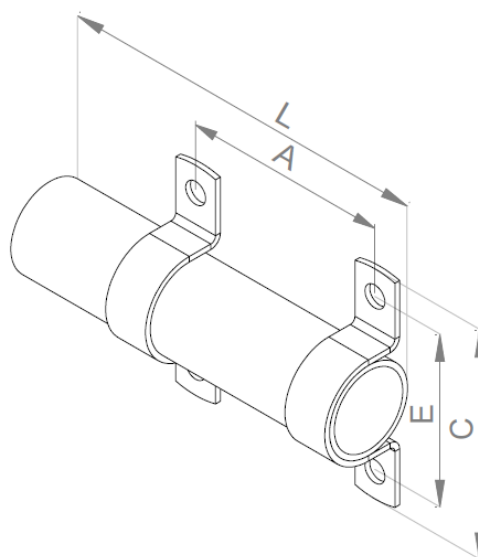
CODE	DESIGNATION	A	L	E	C
1301-1	Verrou double EX4	100mm	460m	65mm	100mm
1301-2	Verrou double EX5	100mm	460m	65mm	100mm

**ARTICLE 1302**  
**RECEPTION VERROU MURAL**



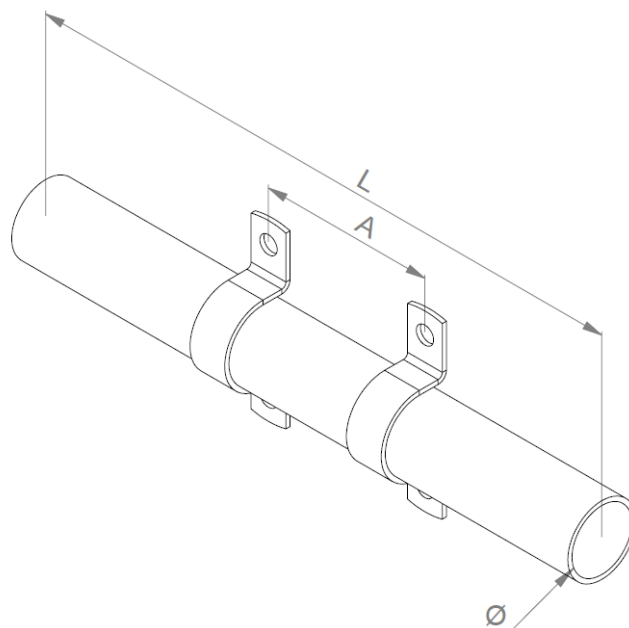
CODE	DESIGNATION	L	C	A	E
1302-1	Réception verrou mural	125m	105mm	100mm	95mm

**ARTICLE 1303**  
**RECEPTION VERROU COULISSANT SIMPLE**



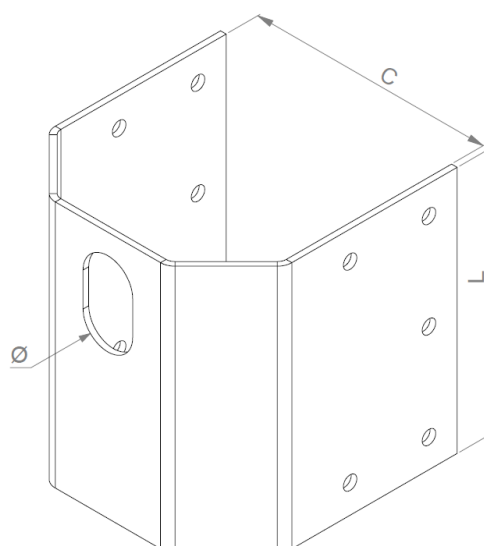
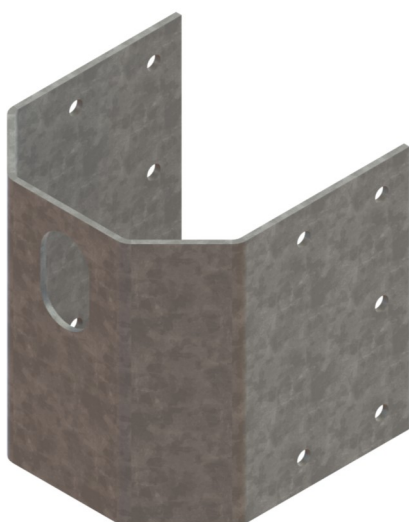
CODE	DESIGNATION	L	C	A	E
1303-1	Réception verrou coulissant simple	200m	105mm	100mm	95mm

## ARTICLE 1304 RECEPTION VERROU COULISSANT DOUBLE



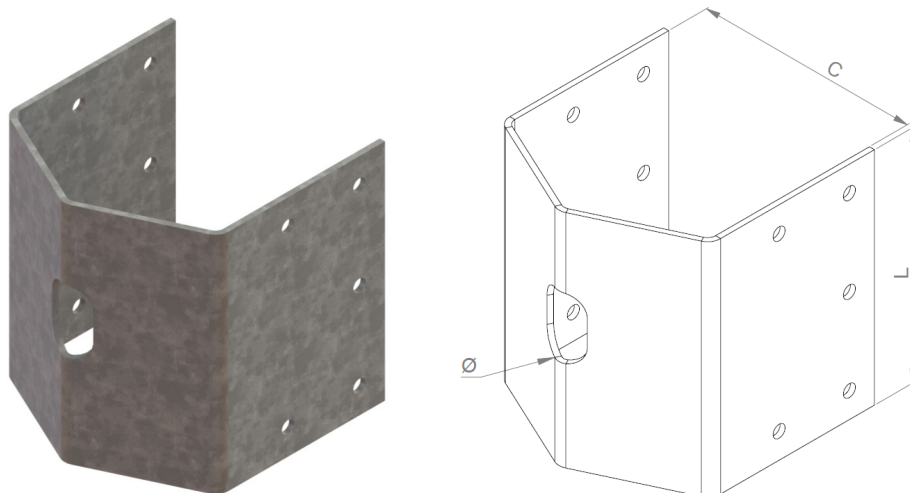
CODE	DESIGNATION	L	A	Ø
1304-1	Réception verrou coulissant double	400m	100mm	49mm

## ARTICLE 1305 CHAPE ENVELOPPANTE BOUT DE MUR TYPE U



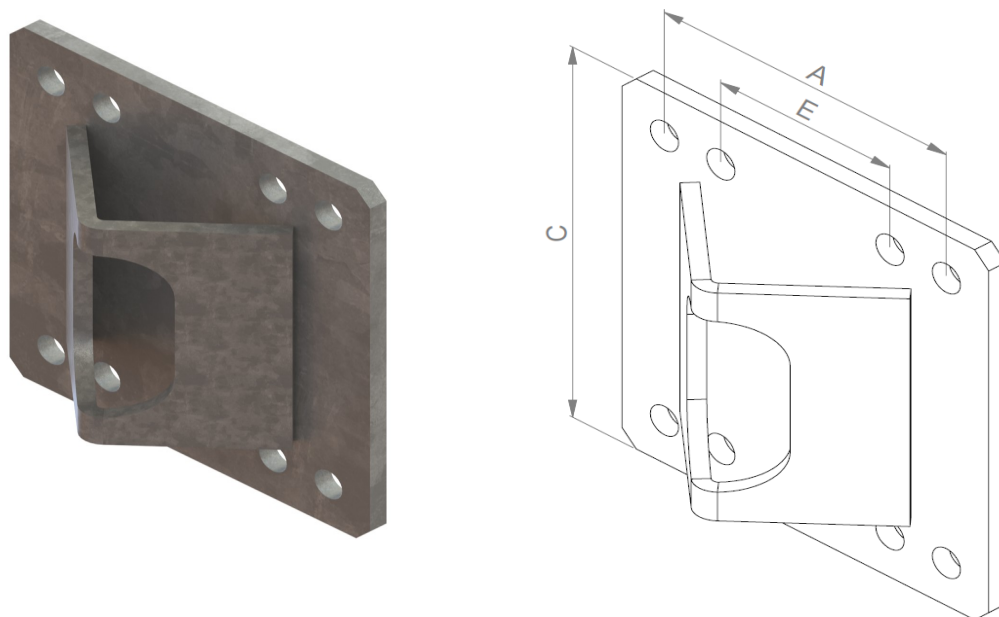
CODE	DESIGNATION	L	C	Ø
1305-1	Chape enveloppante bout de mur type U	220m	150mm	36mm
1305-2	Chape enveloppante bout de mur type U	220m	200mm	36mm
1305-3	Chape enveloppante bout de mur type U	220m	250mm	36mm
1305-4	Chape enveloppante bout de mur type U	220m	300mm	36mm

## ARTICLE 1306 CHAPE ENVELOPPANTE BOUT DE MUR TYPE V



CODE	DESIGNATION	L	C	A
1306-1	Chape enveloppante bout de mur type V	220m	150mm	36mm
1306-2	Chape enveloppante bout de mur type U	220m	200mm	36mm
1306-3	Chape enveloppante bout de mur type U	220m	250mm	36mm
1306-4	Chape enveloppante bout de mur type U	220m	300mm	36mm

## ARTICLE 1307 BRIDE AUTOLOCK SIMPLE VERROU A L'AXE



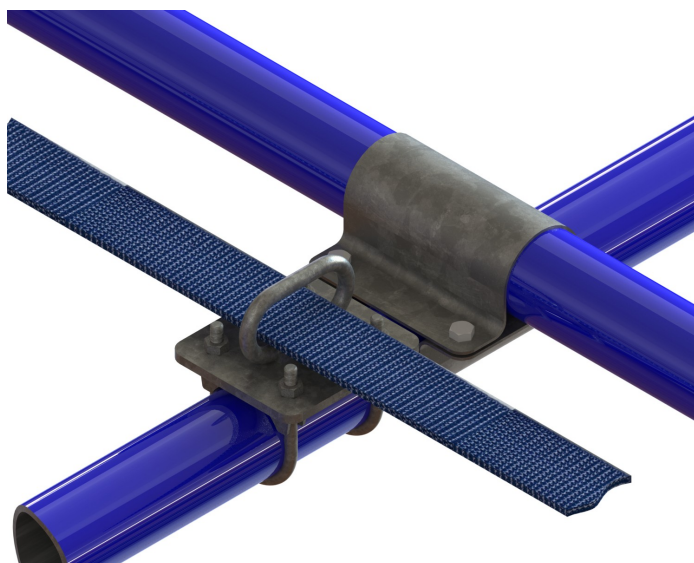
CODE	DESIGNATION	A	E	C
1307-1	Bride Autolock simple verrou à l'axe	100mm	60mm	130mm

**ARTICLE 1308**  
**BRIDE AUTOLOCK DOUBLE VERROU DESAXE**



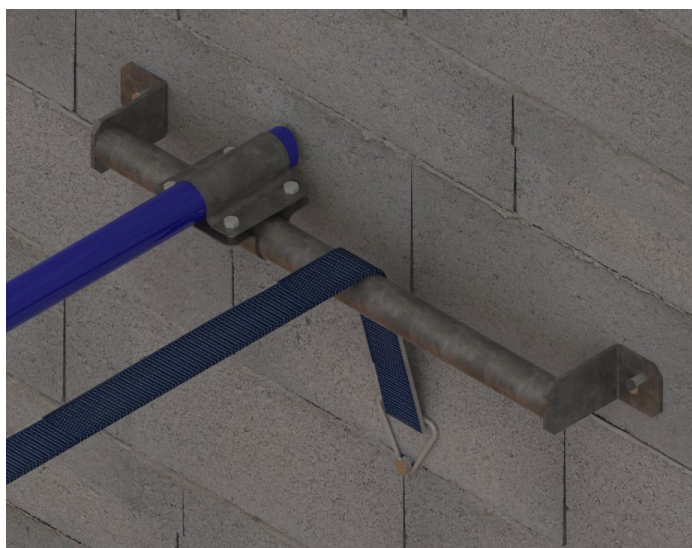
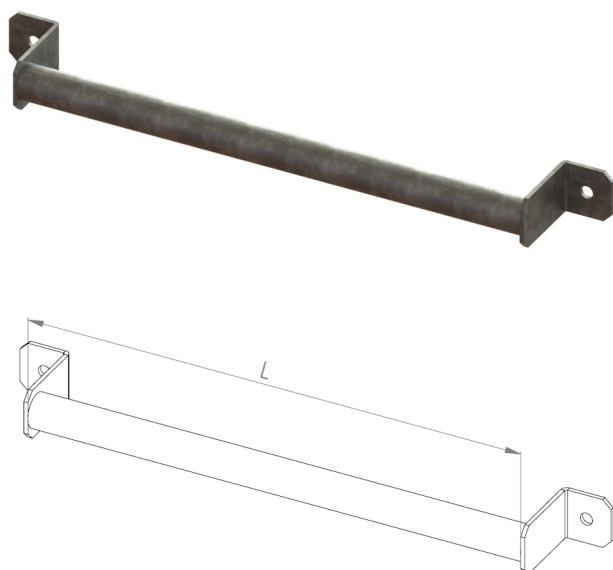
CODE	DESIGNATION	DIAMETRE
1308-1	Bride Autolock double verrou désaxé	∅ 90mm

## ARTICLE 1400 BRIDE SANGLE



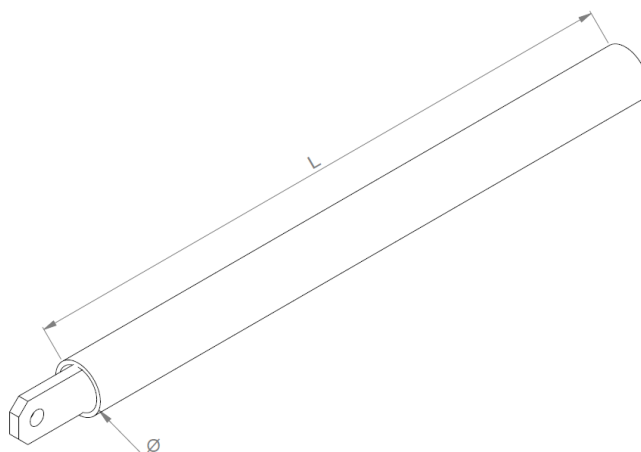
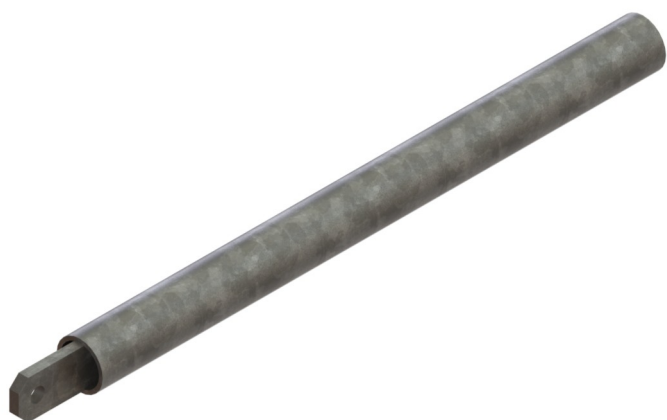
CODE	DESIGNATION	LARGEUR SANGLE	DIAMETRE TUBE
1400-1	Bride sangle	50m	49mm

## ARTICLE 1401 SUPPORT MURAL REGLABLE



CODE	DESIGNATION	L	Ø
1401-1	Support mural réglable	600mm	49mm

**ARTICLE 1402**  
**EMBOUT DROIT SOUDE**



CODE	DESIGNATION	L	Ø
1402-1	Embout droit soudé	600m	49mm
1402-2	Embout droit soudé	1000m	49mm

**ARTICLE 1403**  
**BRIDE A LOGETTE SIMPLE**



CODE	DESIGNATION	DIAMETRE
1403-1	Bride à logette simple	90mm

## ARTICLE 1404 BRIDE A LOGETTE DOUBLE



CODE	DESIGNATION	DIAMETRE
1404-1	Bride à logette double	∅ 90mm

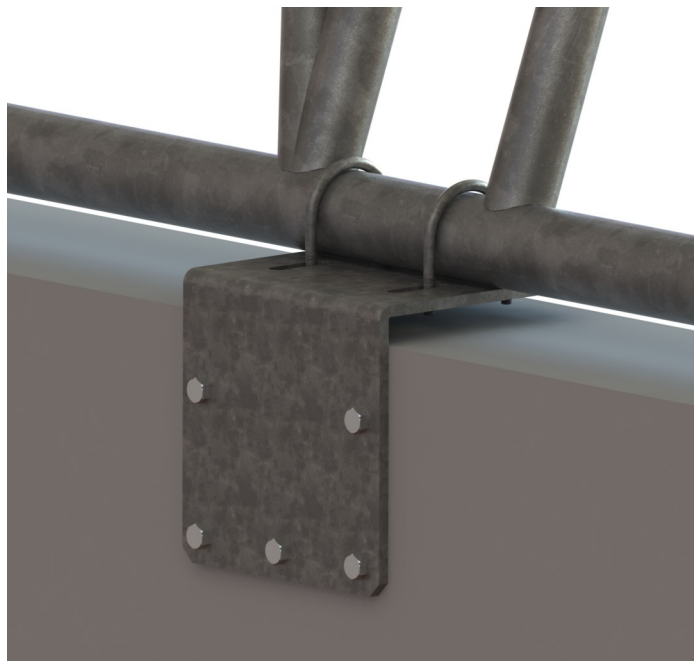
## ARTICLE 1405 RENFORT MURET PREFABRIQUE



CODE	DESIGNATION	REGLAGE
14051	Renfort muret préfabriqué	150 à 200 mm



**ARTICLE 1406**  
**RENFORT MURET REGLABLE**



CODE	DESIGNATION	REGLAGE
1406-1	Renfort muret réglable	150 à 200 mm